

B-SYSTEM

INSTALLATION SOLUTIONS

Euroboxx

2nd Generation

Data sheet

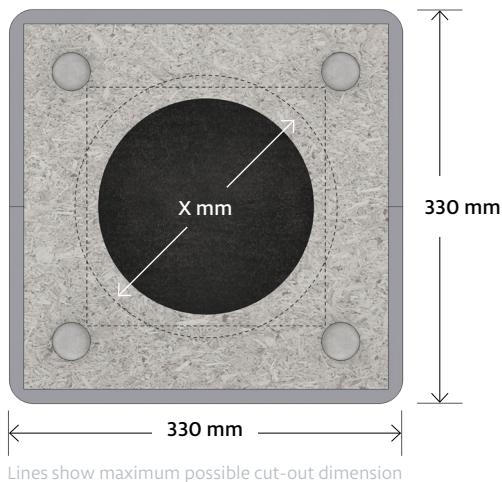
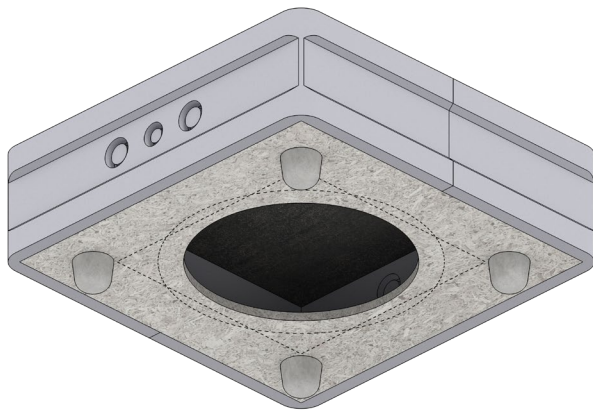


Installation
Video

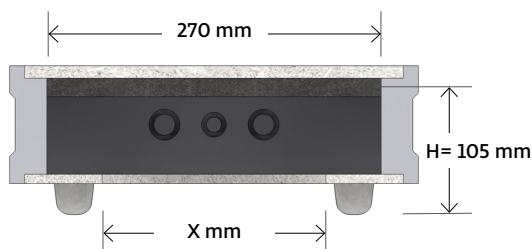
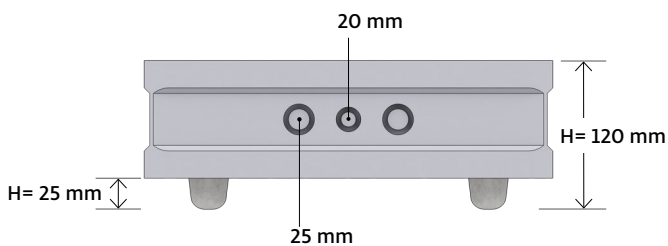
Euroboxx S

2nd Generation

Suitable for 4-6 inch in-ceiling speakers with a maximum installation depth of 105 mm!



Lines show maximum possible cut-out dimension



Data sheet

Description

Euroboxx: backbox for concrete ceilings
Loudspeaker-backbox consisting of EPS base body with glued-in OSB back wall cover and OSB front panel with cut-out adapter for installation in concrete ceilings.

Features and benefits

- two side cut-outs for 20 mm + 25 mm ductwork
- low weight and high stability with excellent shock absorption
- better audio reproduction than other enclosures made of wood, sheet metal or plastic
- better air and structure-borne sound insulation than conventional in-ceiling systems
- 4 concrete feet, 25 mm height
- interior insulation: foam insulation mat 10 mm

i Suitable also for exposed concrete ceilings

Scope of supply (per piece)

- 1 Euroboxx S in EPS grey, 50 kg/m³ with glued OSB cover (quartz coated)
- 1 concrete ring in EPS/PE white, 30 kg/m³, 50 mm height
- 3 steel nails 3.5 × 65 mm
- 4 aluminum nails 3.0 × 25 mm
- 2 × perforated tape
- 4 × cable ties

| Type | Euroboxx S |
|--------------------------------|---|
| Dimensions | 330 × 330 × 120 mm (L × W × H) |
| Installation depth max. | 105 mm |
| Cut-out dimension X | circular: max. 220 mm square: 200 × 200 mm |
| Internal volume | 5.50 l |
| Fire protection classification | B1 |
| Pallet unit | 90 pieces without packaging 78 pieces with packaging |



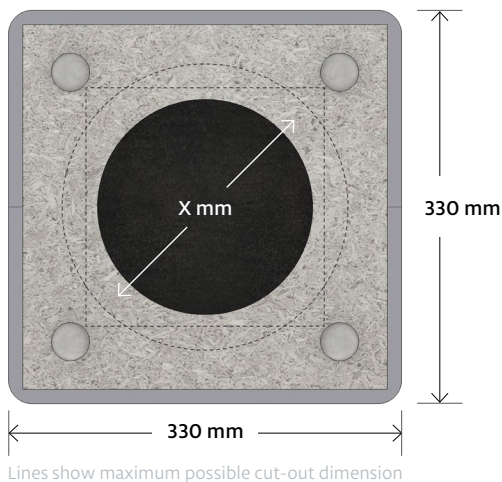
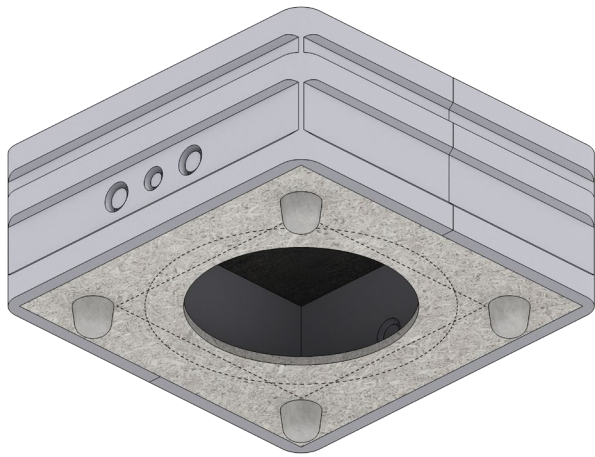
Installation & Info
<https://b-system.com/Euroboxx-qr>

| | Set | incl. base body | incl. adapter |
|-----------------------|------------|------------------------|----------------------|
| Cut-out dimension | SKU: | SKU: | SKU: |
| 120 mm , round | 1012120 | 1002001 | 1001001 |
| 150 mm , round | 1012150 | 1002001 | 1001002 |
| 160 mm , round | 1012160 | 1002001 | 1001003 |
| 170 mm , round | 1012170 | 1002001 | 1001004 |
| 180 mm , round | 1012180 | 1002001 | 1001005 |
| 190 mm , round | 1012190 | 1002001 | 1001021 |
| 200 mm , round | 1012200 | 1002001 | 1001006 |
| 210 mm , round | 1012210 | 1002001 | 1001007 |
| 215 mm , round | 1012215 | 1002001 | 1001008 |
| 220 mm , round | 1012220 | 1002001 | 1001009 |

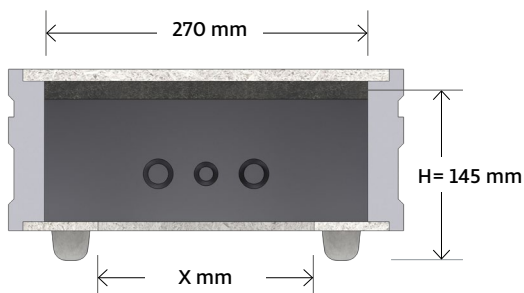
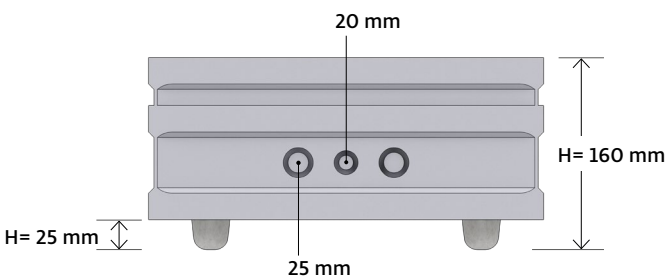
Euroboxx M

2nd Generation

Suitable for 4-6 inch in-ceiling speakers with a maximum installation depth of 145 mm!



Lines show maximum possible cut-out dimension



Data sheet

Description

Euroboxx: backbox for concrete ceilings

Loudspeaker-backbox consisting of EPS base body with glued-in OSB back wall cover and OSB front panel with cut-out adapter for installation in concrete ceilings.

Features and benefits

- two side cut-outs for 20 mm + 25 mm ductwork
- low weight and high stability with excellent shock absorption
- better audio reproduction than other enclosures made of wood, sheet metal or plastic
- better air and structure-borne sound insulation than conventional in-ceiling systems
- 4 concrete feet, 25 mm height
- interior insulation: foam insulation mat 10 mm

i Suitable also for exposed concrete ceilings

Scope of supply (per piece)

- 1 Euroboxx M in EPS grey, 50 kg/m³ with glued OSB cover (quartz coated)
- 1 concrete ring in EPS/PE white, 30 kg/m³, 50 mm height
- 3 steel nails 3.5 × 65 mm
- 4 aluminum nails 3.0 × 25 mm
- 2 × perforated tape
- 4 × cable ties

| Type | Euroboxx M |
|--------------------------------|---|
| Dimensions | 330 × 330 × 160 mm (L × W × H) |
| Installation depth max. | 145 mm |
| Cut-out dimension X | circular: max. 240 mm square: 200 × 200 mm |
| Internal volume | 8.50 l |
| Fire protection classification | B1 |
| Pallet unit | 66 pieces without packaging 60 pieces with packaging |



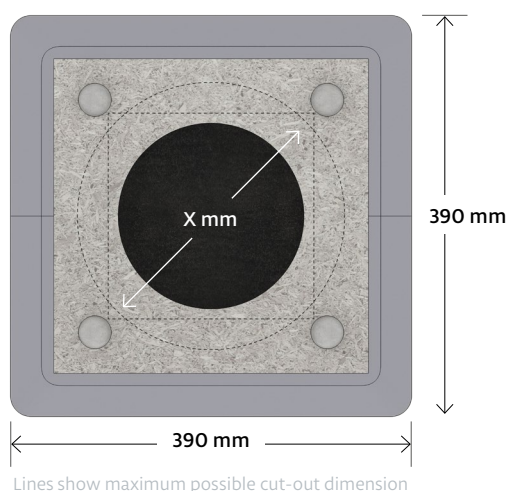
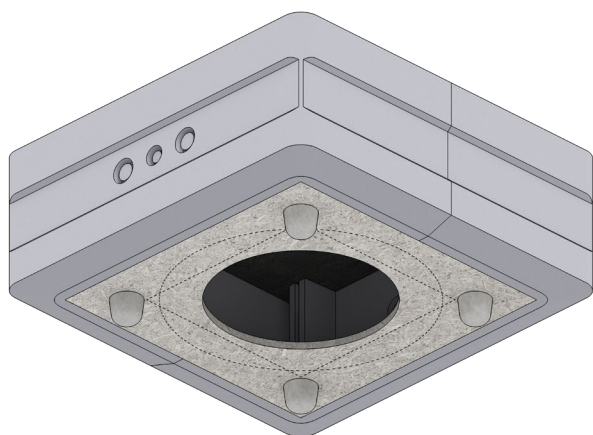
Installation & Info
<https://b-system.com/Euroboxx-qr>

| | Set | incl. base body | incl. adapter |
|-----------------------|------------|------------------------|----------------------|
| Cut-out dimension | SKU: | SKU: | SKU: |
| 120 mm , round | 1022120 | 1002002 | 1001001 |
| 150 mm , round | 1022150 | 1002002 | 1001002 |
| 160 mm , round | 1022160 | 1002002 | 1001003 |
| 170 mm , round | 1022170 | 1002002 | 1001004 |
| 180 mm , round | 1022180 | 1002002 | 1001005 |
| 190 mm , round | 1022190 | 1002002 | 1001021 |
| 200 mm , round | 1022200 | 1002002 | 1001006 |
| 210 mm , round | 1022210 | 1002002 | 1001007 |
| 215 mm , round | 1022215 | 1002002 | 1001008 |
| 220 mm , round | 1022220 | 1002002 | 1001009 |
| 225 mm , round | 1022225 | 1002002 | 1001010 |
| 230 mm , round | 1022230 | 1002002 | 1001011 |
| 240 mm , round | 1022240 | 1002002 | 1001012 |

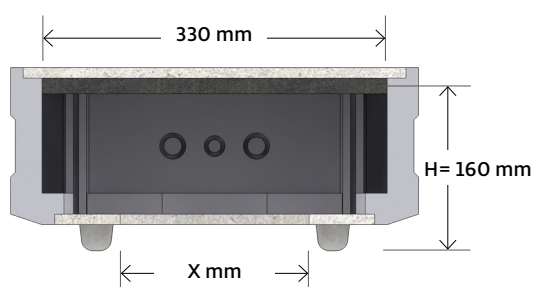
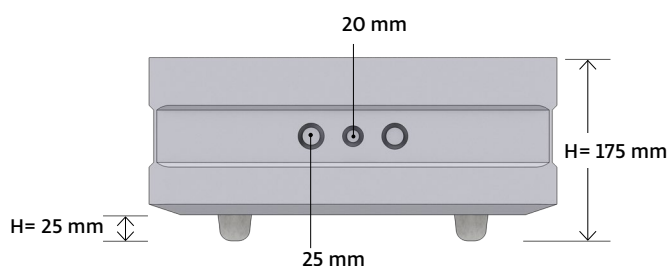
Euroboxx L

2nd Generation

Suitable for 6-8 inch in-ceiling speakers with a maximum installation depth of 160 mm!



Lines show maximum possible cut-out dimension



Data sheet

Description

Euroboxx: backbox for concrete ceilings

Loudspeaker-backbox consisting of EPS base body with glued-in OSB back wall cover and OSB front panel with cut-out adapter for installation in concrete ceilings.

Features and benefits

- two side cut-outs for 20 mm + 25 mm ductwork
- low weight and high stability with excellent shock absorption
- better audio reproduction than other enclosures made of wood, sheet metal or plastic
- better air and structure-borne sound insulation than conventional in-ceiling systems
- 4 concrete feet, 25 mm height
- interior insulation: foam insulation mat 10 mm



Suitable also for exposed concrete ceilings

Scope of supply (per piece)

- 1 Euroboxx L in EPS grey, 50 kg/m³ with glued OSB cover (quartz coated)
- 1 concrete ring in EPS/PE white, 30 kg/m³, 50 mm height
- 3 steel nails 3.5 × 65 mm
- 4 aluminum nails 3.0 × 25 mm
- 2 × perforated tape
- 4 × cable ties

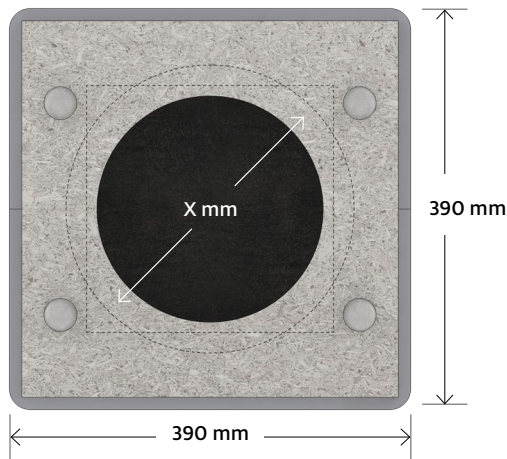
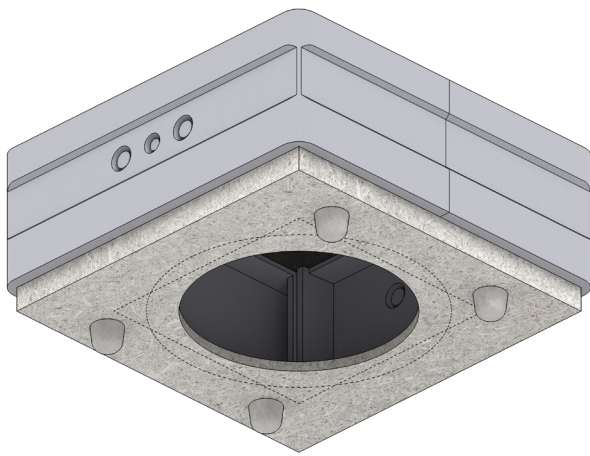
| Type | Euroboxx L |
|--------------------------------|---|
| Dimensions | 390 × 390 × 175 mm (L × W × H) |
| Installation depth max. | 160 mm |
| Cut-out dimension X | circular: max. 260 mm square: 200 × 200 mm |
| Internal volume | 13.50 l |
| Fire protection classification | B1 |
| Pallet unit | 66 pieces without packaging 60 pieces with packaging |



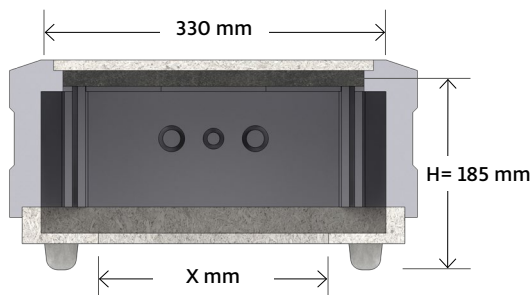
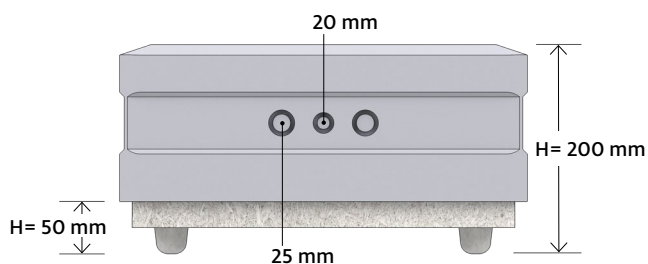
Installation & Info
<https://b-system.com/Euroboxx-qr>

| | Set | incl. base body | incl. adapter |
|-------------------|---------|-----------------|---------------|
| Cut-out dimension | SKU: | SKU: | SKU: |
| 120 mm, round | 1032120 | 1002003 | 1001001 |
| 150 mm, round | 1032150 | 1002003 | 1001002 |
| 160 mm, round | 1032160 | 1002003 | 1001003 |
| 170 mm, round | 1032170 | 1002003 | 1001004 |
| 180 mm, round | 1032180 | 1002003 | 1001005 |
| 190 mm, round | 1032190 | 1002003 | 1001021 |
| 200 mm, round | 1032200 | 1002003 | 1001006 |
| 210 mm, round | 1032210 | 1002003 | 1001007 |
| 215 mm, round | 1032215 | 1002003 | 1001008 |
| 220 mm, round | 1032220 | 1002003 | 1001009 |
| 225 mm, round | 1032225 | 1002003 | 1001010 |
| 230 mm, round | 1032230 | 1002003 | 1001011 |
| 240 mm, round | 1032240 | 1002003 | 1001012 |
| 250 mm, round | 1032250 | 1002003 | 1001013 |
| 260 mm, round | 1032260 | 1002003 | 1001014 |

Suitable for 8-10 inch in-ceiling speakers with a maximum installation depth of 185 mm!



Lines show maximum possible cut-out dimension



Description

Euroboxx: backbox for concrete ceilings
Loudspeaker-backbox consisting of EPS base body with glued-in OSB back wall cover and OSB front panel with cut-out adapter for installation in concrete ceilings.

Features and benefits

- two side cut-outs for 20 mm + 25 mm ductwork
- low weight and high stability with excellent shock absorption
- better audio reproduction than other enclosures made of wood, sheet metal or plastic
- better air and structure-borne sound insulation than conventional in-ceiling systems
- 4 concrete feet, 50 mm height
- interior insulation: foam insulation mat 10 mm

i Suitable also for exposed concrete ceilings

Scope of supply (per piece)

- 1 Euroboxx XL in EPS grey, 50 kg/m³ with glued OSB cover (quartz coated)
- 1 concrete ring in EPS/PE white, 30 kg/m³, 50 mm height
- 3 steel nails 3.5 × 65 mm
- 4 aluminum nails 3.0 × 25 mm
- 2 × perforated tape
- 4 × cable ties

| Type | Euroboxx XL |
|--------------------------------|---|
| Dimensions | 390 × 390 × 200 mm (L × W × H) |
| Installation depth max. | 185 mm |
| Cut-out dimension X | circular: max. 280 mm square: 260 × 260 mm |
| Internal volume | 16.20 l |
| Fire protection classification | B1 |
| Pallet unit | 54 pieces without packaging 48 pieces with packaging |



Installation & Info
<https://b-system.com/Euroboxx-qr>

| | Set | incl. base body | incl. adapter |
|-----------------------|------------|------------------------|----------------------|
| Cut-out dimension | SKU: | SKU: | SKU: |
| 240 mm , round | 1042240 | 1002004 | 1001016 |
| 250 mm , round | 1042250 | 1002004 | 1001017 |
| 260 mm , round | 1042260 | 1002004 | 1001018 |
| 270 mm , round | 1042270 | 1002004 | 1001019 |
| 280 mm , round | 1042280 | 1002004 | 1001020 |

B-SYSTEM

INSTALLATION SOLUTIONS

B-SYSTEM GmbH
Bismarckstraße 19
78652 Deisslingen
Germany

Phone: +49 (0)7420 889-889
E-mail: info@b-system.com
Web: www.b-system.com