

Bowers & Wilkins

PI7
Wireless
Headphones

Welcome to Bowers & Wilkins and PI7

Thank you for choosing Bowers & Wilkins. When John Bowers first established our company, he did so in the belief that imaginative design, innovative engineering and advanced technology were keys that could unlock the enjoyment of audio in the home.

PI7 is a high performance in-ear headphone designed to deliver the highest quality mobile personal audio experience combined with the convenience of wireless operation and the serenity of noise-cancellation. This manual will tell you everything you need to know to get the most from your PI7 headphones.

Your PI7 can play music streamed wirelessly from your mobile phone, tablet or computer via Bluetooth. PI7 can also be used for wireless telephony.

PI7 Real World Listening features include our latest innovations in Adaptive Noise Cancellation, Ambient Pass-Through and enhanced Wear Sensing technologies. Our latest generation noise cancellation feature was designed from the ground up with intelligent environment sensing capabilities, automatically selecting the appropriate type of noise cancellation best suited to your surrounding environment, its only goal is to deliver an uncompromised listening experience. Ambient Pass-Through enables external sounds, such as conversation or safety announcements, to be heard clearly without any need to remove the headphones. The Wear Sensing feature enables PI7 to respond naturally, pausing and resuming the music simply by lifting either earpiece on or off your ear. These features can be enabled and further customised via the Bowers & Wilkins Headphone App available for free on iOS and Android devices.

PI7 incorporates a rechargeable battery case. When fully charged, depending on the degree of Bluetooth, Adaptive Noise Cancellation and Ambient Pass-Through use, the battery case can provide up to 20 hours of continuous wireless media streaming with noise cancellation enabled at average playback volume levels.

1. PI7 Carton Contents

PI7 Headphones with Ear Tips (M)
 Charging Case
 USB-C Charging and USB-C to 3.5mm Audio Cable
 Ear Tips (S/L)
 Literature Pack

2. Getting to know your PI7

2.1 Switching Headphones On and Off

Switching On/Off

PI7 does not have a power control, instead the power management is automatic. Your PI7 earbuds will automatically charge when placed into the charging case, and will be ready to use when they are removed from the case.

When your earbuds are removed from the charging case, and not used for 5 minutes, they will enter a power saving mode. To exit power saving mode, start using the earbuds again by connecting your paired device, streaming audio or placing the earbuds into your ears.

2.2 Headphone Controls

Each earbud has a Multi-function button located on the top cap of the earbud, see Diagram 1. The Multi-function button controls are as follows:

Media Playback:

| Function | Action |
|---------------------|--|
| Play or pause | Press the Multi-function button once. |
| Play to next track | Press the Multi-function button twice in quick succession. |
| Play previous track | Press the Multi-function button three times in quick succession. |

Phone call functionality:

| Function | Action |
|--------------------------|---|
| Answer call | Press the Multi-function button once with incoming call. |
| End call | When incoming call occurs, press the Multi-function button twice in quick succession. |
| Decline an incoming call | Press the Multi-function button twice in quick succession with incoming call. |

3. Intelligent Features

3.1 Adaptive Noise Cancellation

Noise cancellation is a series of advanced technologies that aids in removing undesired noise from the surrounding environment.

PI7 features our latest innovations in adaptive noise cancellation, this includes intelligent sensing that adapts noise cancellation and tuning best suited to your surrounding environment. As your surroundings change, noise cancellation will auto adapt to complement your new environment.

The noise cancellation features is activated by pressing the left (L) earbud Multi-function button for 1 second, additional 1 second presses cycle through the modes: On, Auto or Off. See Diagram 2 for button location.

| Mode | Application |
|------|--|
| On | Removes undesired noise from the surrounding environment. |
| Auto | Intelligently adapts noise cancellation best suited to your current environment. |
| Off | Turns off the noise cancellation feature. |

3.2 Voice Assistance

Voice Assistance is activated by pressing the right (R) earbud Multi-function button for 1 second. See Diagram 2 for button location.

3.3 Ambient Pass-Through

PI7 features ambient pass-through which lets some external noise from the surrounding environment, such as safety announcements or conversations, to be heard without taking the headphones off.

Ambient pass-through can be enabled or disabled through Bowers & Wilkins headphone App. The level of ambient pass-through, High/Low/Off, can be adjusted to suite your needs through the App.

3.4 Wear Sensors

PI7 incorporate our latest enhanced wear detection sensors in both earbuds. The sensors enable intelligent battery conservation by entering power saving mode when removed from the ears. When worn again, PI7 automatically wakes and connects to the last connected Bluetooth device.

The sensors will also pause audio when the earbuds are removed from your ears. Playback will auto resume when the earbud is placed back in the ear. Auto resume has been further optimised so it is ready only when you are.

Wear sensor can be turned off from the Bowers & Wilkins Headphone App.

Note: Take special care when wearing your earphones, hair or accessories trapped between your ears and the earbuds may interfere with proximity sensing.

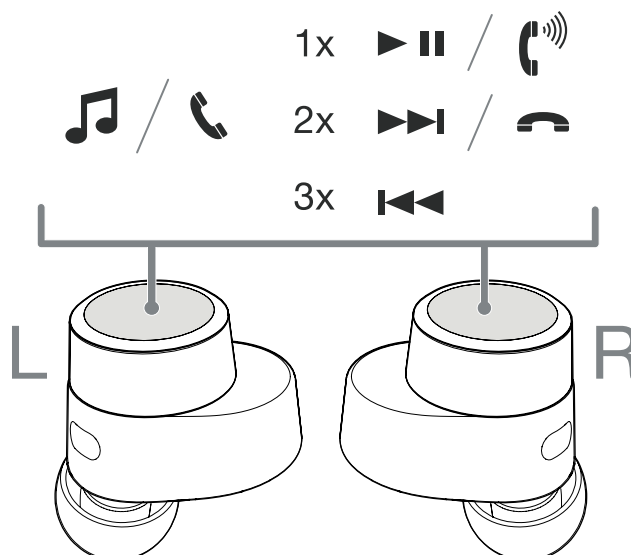


Diagram 1
Multi-function button

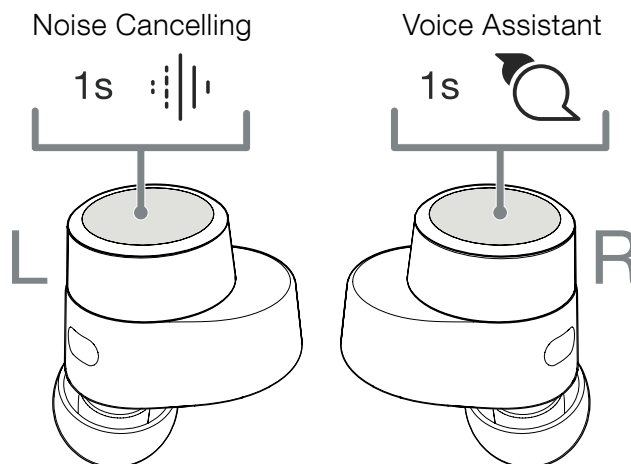


Diagram 2
Headphone controls

4. Stowing the Earbuds

When not in use, the PI7 earbuds should be stored inside the charging case where they will be recharged ready for future use.

5. Battery Charging

PI7 ships with the case and earbud batteries partially charged and may be used immediately. For best practice we recommend fully charging the earbuds before first use. Please allow up to 3 hours for full charge.

To charge the PI7 earbuds:

1. Place the PI7 earbuds in the charging case.
2. Close the charging case lid.

To charge the PI7 charging case:

1. Use the supplied USB charging cable and connect the USB plug to a USB wall charger or a powered computer USB socket.
2. Then connect the USB-C end to the charging case USB-C socket.

Note: During charging, the case indicator will blink green. When fully charged, the indicator will remain illuminated. The case can be charged with or without the earbuds being housed inside the case.

To charge the PI7 case with a wireless charging station:

1. Place the charging case onto a wireless charging station.
2. Ensure that the rear of the charging case is on the charging station (with the case indicator facing up).

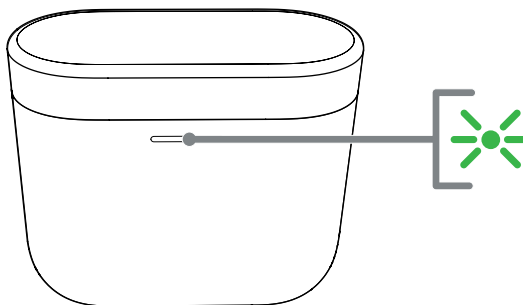
Note: During charging, the case indicator will blink green. When fully charged, the indicator will remain illuminated.

5.1 Status Indicator

The status indicator is located on the front of the case. When the earbuds are placed in the case the LED provides information about the earbuds. When the earbuds are removed from the case the LED provides information on the charging case. See Diagram 3 for LED states.

5.2 Checking Battery Levels

You can check the case battery level by pressing the button on the outside of the case once. When both earbuds are stowed in the case, press the same button twice to see the earbuds battery level. See Diagram 4 for button location.



With the earbuds in the charging case

| illumination | | Operational state |
|-------------------------|--|----------------------------------|
| Green (case lid open) | | Earbud battery charge >40% |
| Yellow (after power on) | | Earbud battery charge >20%, <40% |
| Red (after power on) | | Earbud battery charge <20% |
| Red (blinking) | | Earbud factory reset |
| Red (solid) | | Hardware reset / system crash |
| Blue (blinking) | | Pairing mode enabled |
| Blue (3 sec solid) | | Pairing successful |

With the earbuds removed from the charging case

| illumination | | Operational state |
|-------------------------|--|-------------------------------|
| Green (case lid open) | | Battery charging >40% |
| Yellow (after power on) | | Battery charging >20%, <40% |
| Red (after power on) | | Battery charging <20% |
| Red (blinking) | | Factory reset |
| Red (solid) | | Hardware reset / system crash |

Diagram 3
Status indicator illuminations

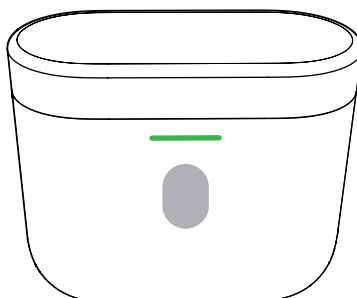


Diagram 4
Case and earbud battery indicator

6. Bluetooth Connectivity

6.1 Pairing

Your PI7 earphones are designed to stream music wirelessly from Bluetooth audio devices, such as smartphones, tablets, or computers. To do so, the earphones and device must first be paired.

When you receive your PI7 earphones they will be ready to pair to any Bluetooth audio device.

6.1.1 iOS System / Android System without Google FastPair.

1. Download the Bowers & Wilkins Headphone App.
2. Open the case lid, the case indicator will flash blue.
3. Go to the Bluetooth pairing menu of your device and select the "Bowers & Wilkins PI7" from the device list.
4. The case indicator will change to solid blue to indicate pairing is successful.
5. Open the Bowers & Wilkins app and add the headphones.

Note: Your earphones will automatically exit Bluetooth pairing mode if no device is paired within 5 minutes. If pairing fails, the indicator will rapid flash blue, please try pairing again.

To pair to a subsequent device. See Diagram 5:

1. Open the case lid with the earbuds placed inside the case.
2. Press and hold the button inside the case for between 1 and 5 seconds, the case indicator will flash blue.
3. Go to the Bluetooth pairing menu of your new device and select the "Bowers & Wilkins PI7" from the device list.
4. The case indicator will change to solid blue to indicate pairing is successful.

PI7 can remember up to 3 paired Bluetooth Devices. Repeat the above steps to pair more devices.

Note: Your earbuds will automatically exit Bluetooth pairing mode if no device is paired within 5 minutes. If pairing fails, the indicator will rapid flash blue, please try pairing again.

6.1.2 Google FastPair (For Android System integrated with GFP Feature)

To add your headphones:

1. Place the case no further than 10cm (4 inches) away from Android device (BT enabled) and open the PI7 case lid.
2. A GFP (Google FastPair) notification window will pop up showing "Bowers & Wilkins PI7 detected" and request to start the pairing process.
3. Press "Notification" button on the window to enable the pairing, successful connection will be shown in GFP window.
4. Once paired:
 - o GFP window will direct you to the Google Play store to download and Install the Bowers & Wilkins App.
 - o L/R Earbud and case Battery Level can be seen on the GFP window

6.2 Disconnect from a Device

You can quickly disconnect PI7 from a device by putting the earbuds back to the case. Alternatively, you can manage connection in further detail using the Bowers & Wilkins Headphones app under Connections.

6.3 App features

The Bowers & Wilkins Headphones app provides extended setup and adjustments to features such as Adaptive Noise Cancellation, Ambient Pass-Through, and Wear Sensors. The app also provides further customisations such as voice prompt, level of ambient pass-through, connection management, and headphone software updates. The app is available as a free download on iOS and Android devices.

To add your headphones:

1. From your mobile device, download and install the Bowers & Wilkins Headphones app.
2. Launch the app, then read and follow the instructions pertaining app notification and permissions.
3. After reaching the main screen, simply tap + and following the in-app instructions.

6.4 Headphone Software Update

Bowers & Wilkins will occasionally make available software updates that refine and optimise the performance of your headphones or add new features.

The Bowers & Wilkins Headphones app will notify you when a software update is available, tap on the notification and follow the in-app instructions.

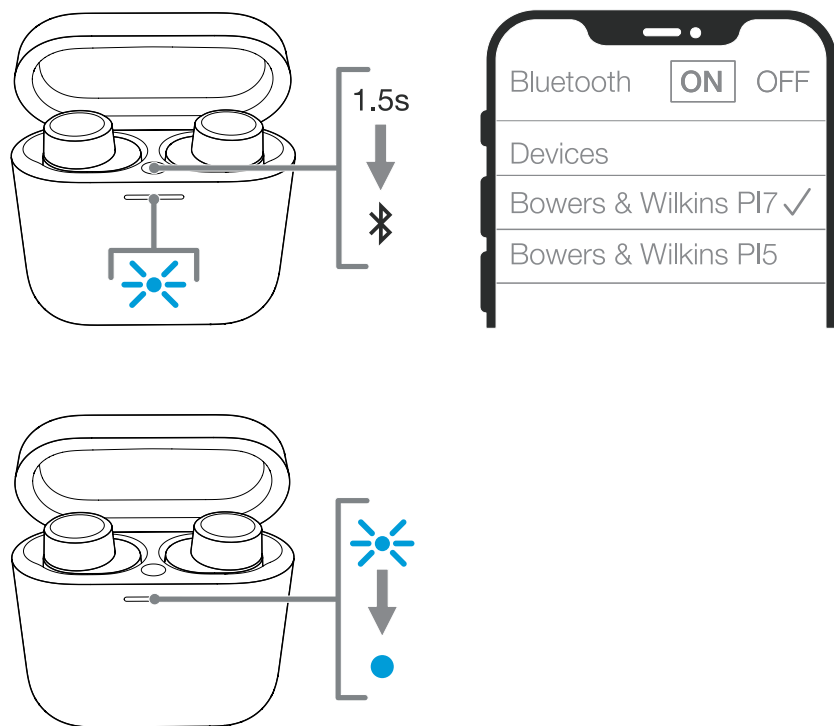


Diagram 5
Bluetooth pairing - subsequent device

7. Wearing Your Headphones

Wearing your headphones correctly will help ensure you get the best possible experience, see Diagram 6. Like many in-ear earphones, PI7 earbuds are designed to seal the ear canal in order to perform optimally. Ear tips come in three sizes (small, medium and large). Finding the proper size for your ear is critical to obtaining a good seal and ensure PI7, and the advanced features such as Adaptive Noise Cancellation, perform optimally.

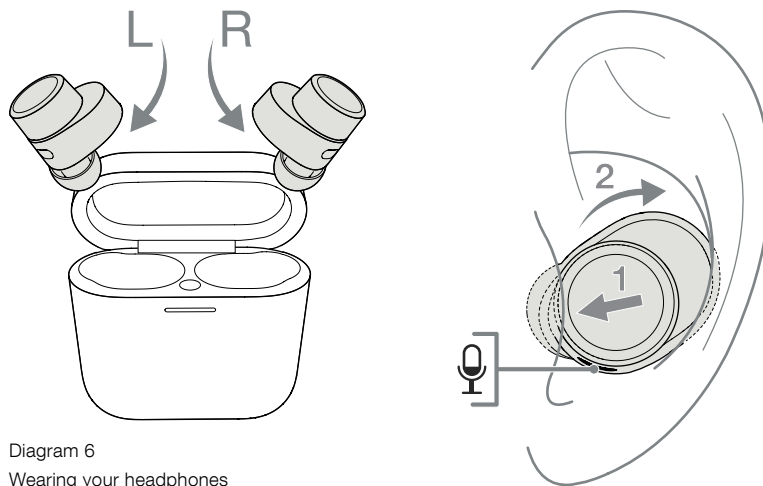


Diagram 6
Wearing your headphones

1. Identify the left and right earbud by finding the L and R identification located on the inner side on each earbud.
2. Place the earbuds in your ear and twist the ear bud backwards slightly so that the tips engages comfortably with the opening of the ear canal.
3. If the earbud tip feels to large or small try another size ear tip to ensure the best possible fit.

Note: To optimise call quality, please ensure the microphone located underneath the earbud is facing outward, see Diagram 6.

8. Media Streaming

8.1 Connecting your case to media source with the supplied USB type-C-to-3.5mm or USB type-C-to-C Cable for media streaming, see Diagram 7.

1. Connect the supplied cable to the case and the source device.
2. Your PI7 will automatically start streaming.

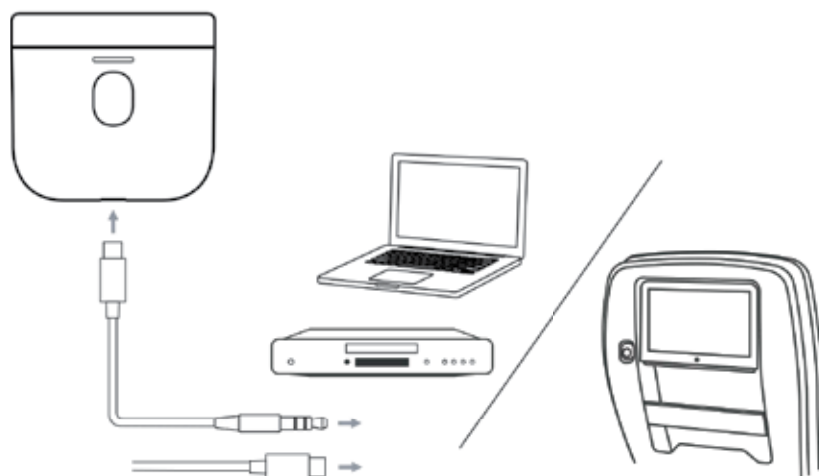


Diagram 7
Media streaming

Note: For Mac user, for the 1st time streaming, go to output control under Sound Setting and select "Bowers & Wilkins PI7"

8.2 Pairing secondary/subsequent headphone (ONLY Bowers & Wilkins) to the case for media streaming, see Diagram 8.

Your case can also pair with another Bowers & Wilkins Headphone for media streaming

1. Connect the supplied cable to the case and the source device.
2. Press and hold the outside button for 3 seconds until the LED flashing blue light.
3. Switch the headphone into pairing mode.
4. The case LED will change to a solid blue light to indicate the connection completed.
5. Once paired, Press the external case button:
 - 1x to START the streaming
 - 2x to STOP the streaming

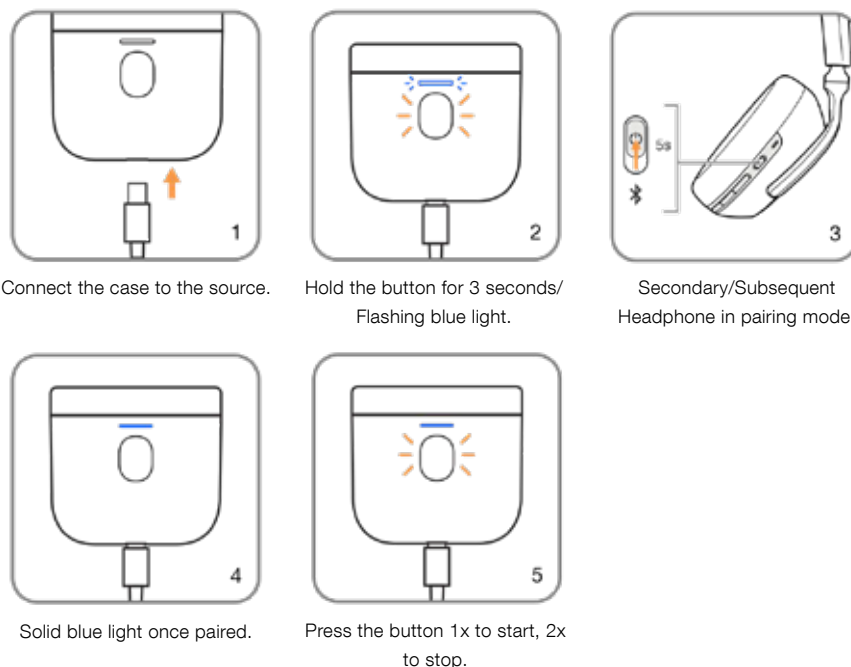


Diagram 8
Secondary / subsequent headphone streaming

Note: Both earbuds have to be inside the case while using the secondary headphone. Once the subsequent headphone is paired, the paired history will be deleted.

9. Reset/Troubleshooting

9.1 Factory Reset

You can clear the paired device history and restore all settings to their defaults.

To factory reset the earbuds, open the charging case with the earbuds placed inside. Press and hold the button on the inside of the case for 5 seconds and release. The indicator on the case will turn red to indicate the reset.

NOTE: In the case of earbuds are not functioning properly, please perform a factory reset to resolve the issue.

9.2 Hard Reset

To hard reset the earbuds, open the case with the earbuds placed inside. Press and hold the button inside the case for 15 seconds until LED indicator goes off and illuminates in green to indicate completion of hard reset process.

NOTE: For a serious system crash (solid red LED light), please perform a hard reset.

10. Caring For Your Earphones

Your earbuds can be cleaned by a damp cloth and gently dabbing until clean. Do not use cleaning detergents, rubbing alcohol, or chemical cleaners/polish, doing so may damage your earbuds.

11. Service / Support

If you need help troubleshooting a specific problem, or simply have a question you would like answered, please initially consult the Headphone support section of the Bowers & Wilkins website: www.bowerswilkins.com.

Specifications

| | |
|--------------------|---|
| Technical Features | True Wireless technology Bluetooth 5.0 with AptX Adaptive technology Auto ANC Audio streaming from charging case Wireless and USB-C charging Fast charging support |
| Bluetooth Codecs | AptX – Adaptive AptX – HD AptX – Low Latency AptX – Classic AAC SBC |
| Bluetooth Profiles | A2DP v1.3.1 AVRCP v1.6.1 HFP v1.7.1 HSP v1.2 BLE GATT (Generic Attribute Profile) |
| Frequency Band | Tx mode: 2402MHz to 2480MHz, ISM Band Rx mode: 2402MHz to 2480MHz, ISM Band |
| RF output power | < 0r =10.0 dBm |
| Drive Units | 9.2mm Dynamic Drive with Balanced Armature |
| Frequency Range | 10Hz to 20kHz |
| Distortion (THD) | <0.3% (1kHz/10mW) |
| Battery Life | Up to 4 hours Bluetooth |
| Charging | 15 minute charging = 2 hrs Bluetooth |
| Inputs | Bluetooth |
| Weight | 7g for earbuds, 61g for charging case |

Bienvenue chez Bowers & Wilkins et au PI7

Merci d'avoir choisi Bowers & Wilkins. Quand John Bowers a créé notre entreprise, il l'a fait avec la conviction qu'un design imaginatif et innovant, ainsi que l'ingénierie et les technologies de pointe étaient les clés qui pourraient libérer le plaisir de l'audio à domicile.

Le PI7 est un casque intra-auriculaire haute performance conçu pour offrir la meilleure expérience audio personnelle mobile, combinée à la praticité du fonctionnement sans fil et à la sérénité offerte par la suppression du bruit ambiant. Ce manuel vous détaillera tout ce que vous devez savoir pour tirer le meilleur parti de votre casque PI7.

Votre PI7 peut diffuser de la musique sans fil à partir de votre téléphone mobile, tablette ou ordinateur via Bluetooth. Le PI7 peut également être utilisé pour la téléphonie sans fil.

Les fonctionnalités Real World Listening du PI7 intègrent nos dernières innovations en matière de réduction de bruit adaptative, de mode Ambient pass-through et de technologies améliorées de détection de port des écouteurs. Notre fonction d'annulation du bruit de dernière génération est entièrement nouvelle. Elle dispose de capacités de détection de l'environnement extérieur intelligentes, en sélectionnant automatiquement le type de suppression de bruit la plus appropriée et la mieux adaptée à ce qui est autour de vous. Son unique objectif étant de vous offrir une expérience d'écoute sans compromis. Le mode Ambient Pass-Through permet d'activer certains sons externes, tels que les conversations ou les annonces de sécurité, pour qu'ils puissent être entendus clairement sans qu'il soit nécessaire de retirer les écouteurs. La fonction de détection de port des écouteurs confère au PI7 une utilisation naturelle, en se mettant en pause et reprenant la musique juste en soulevant un écouteur ou en le retirant de votre oreille. Ces fonctionnalités peuvent être activées et personnalisées via l'application Bowers & Wilkins pour casques, disponible gratuitement sur les appareils iOS et Android.

Le PI7 dispose d'un boîtier de batteries rechargeables. Lorsqu'il est complètement rechargé, selon le degré d'utilisation du Bluetooth, de l'annulation adaptative de bruit et du mode Ambient, le boîtier peut offrir jusqu'à 20 heures d'autonomie d'utilisation en streaming sans fil en continu, avec la suppression de bruit active en fonction et à des niveaux de volume d'écoute moyens.

1. Contenu du carton PI7

Casque PI7 avec embouts auriculaires (M)
Boîtier de recharge
Câbles audio et de chargement USB-C et USB-C vers 3,5 mm
Embouts auriculaires (S/L)
Ensemble de documentation

2. Familiarisation avec votre PI7

2.1 Allumer et éteindre le casque

Allumer/éteindre

Le PI7 n'a pas de commande de mise sous tension, celle-ci est automatique. Vos écouteurs PI7 se mettent en charge dès qu'ils sont placés dans le boîtier de recharge, et sont prêts à être utilisés lorsqu'ils sont retirés du boîtier.

Lorsque vos écouteurs sont ôtés du boîtier de charge et non utilisés pendant 5 minutes, ils passent en mode économie d'énergie. Pour les sortir de ce mode d'économie d'énergie, il suffit d'utiliser les écouteurs à nouveau en les connectant à votre appareil jumelé, ou en leur envoyant un flux audio en streaming, ou enfin en les insérant dans vos oreilles.

2.2 Contrôle des écouteurs

Chaque écouteur dispose d'un bouton multifonctions situé sur le capot supérieur de l'écouteur, voir Schéma 1. Les commandes de ce bouton multifonctions sont les suivantes :

Lecture multimédia :

| Fonction | Action |
|----------------------------|---|
| Lecture ou pause | Appuyez une fois sur le bouton multifonctions. |
| Passer à la piste suivante | Appuyez sur le bouton multifonctions deux fois en succession rapide. |
| Lire la piste précédente | Appuyez sur le bouton multifonctions trois fois en succession rapide. |

Communications téléphoniques :

| Fonction | Action |
|--------------------------|--|
| Répondre à un appel | Appuyez sur le bouton multifonctions une fois pour prendre un appel entrant. |
| Fin d'appel | Lors d'un appel entrant, appuyez sur le bouton multifonctions deux fois de suite en succession rapide. |
| Refuser un appel entrant | Appuyez sur le bouton multifonctions deux fois de suite rapidement pour refuser un appel entrant. |

3. Fonctionnalités intelligentes

3.1 Annulation adaptative du bruit

L'annulation du bruit ambiant consiste en une série de technologies qui aident à éliminer les bruits indésirables du milieu environnant.

Le PI7 dispose de nos dernières innovations en matière de réduction de bruit adaptatif, notamment la détection intelligente qui adapte la réduction du bruit et utilise le réglage le mieux adapté à l'espace qui vous entoure. Lorsque celui-ci change, le système de suppression de bruit s'adapte automatiquement à votre nouvel environnement.

Les fonctions d'annulation du bruit sont activées en appuyant sur le bouton multifonctions de l'écouteur gauche (L) pendant 1 seconde. En appuyant pendant 1 seconde supplémentaire, on bascule entre les modes On, Auto ou Off. Voir le Schéma 2 pour visualiser l'emplacement du bouton.

| Mode | Application |
|------|--|
| On | Supprime les bruits indésirables du milieu environnant. |
| Auto | Adapte intelligemment la fonction de suppression du bruit pour qu'elle soit la mieux adaptée à votre environnement courant |
| Off | Désactive la fonction d'annulation du bruit. |

3.2 Assistant vocal

L'assistant vocal est activé en appuyant sur le bouton multifonctions de l'écouteur droit (R) pendant 1 seconde. Voir Schéma 2 pour visualiser l'emplacement du bouton.

3.3 Mode Ambient Pass-Through

Le PI7 dispose d'un mode Ambient Pass-Through, qui permet à certains bruits extérieurs du milieu environnant, comme des annonces de sécurité ou les conversations, de pouvoir être entendus sans qu'il soit nécessaire de retirer les écouteurs

Le mode Ambient Pass-Through peut être activé ou désactivé via l'application casque Bowers & Wilkins. Le niveau du mode Ambient Pass-Through Haut/Bas/Arrêt, peut être ajusté via l'application, pour répondre à vos besoins.

3.4 Capteurs de port des écouteurs

Le PI7 intègre dans les deux écouteurs notre dernière génération de détection de port. Les capteurs permettent de conserver intelligemment l'autonomie de la batterie en faisant basculer les écouteurs en mode d'économie d'énergie lorsqu'ils sont ôtés des oreilles. Lorsque qu'il est porté à nouveau, le PI7 se réveille et se connecte automatiquement au dernier appareil Bluetooth connecté.

Les capteurs mettront également en pause le flux audio dès que les écouteurs sont ôtés de vos oreilles. La lecture sera automatiquement reprise lorsque les écouteurs seront remis en place dans les oreilles. La reprise automatique a été encore optimisée, pour ne reprendre la lecture que quand vous êtes prêts à la faire.

Le capteur de port peut être désactivé via l'application casque de Bowers & Wilkins.

Remarque : faites particulièrement attention lorsque vous portez vos écouteurs à ce que des cheveux ou accessoires ne viennent pas se coincer entre vos oreilles et les écouteurs, ce qui pourrait interférer avec la détection de proximité.

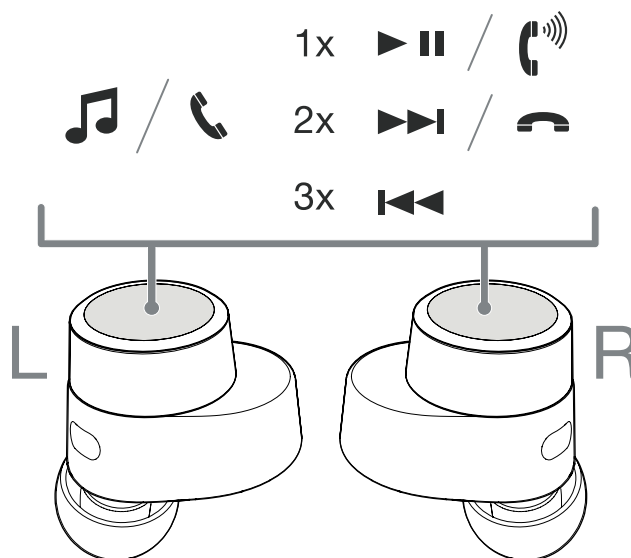


Schéma 1
Bouton multifonctions

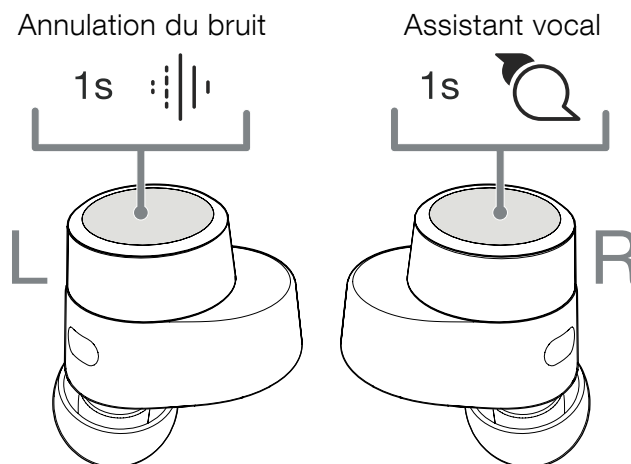


Schéma 2
Contrôles des écouteurs

4. Rangement des écouteurs

Lorsqu'ils ne sont pas utilisés, les écouteurs PI7 doivent être stockés à l'intérieur du boîtier de recharge où ils seront rechargés et ainsi prêts pour une utilisation future.

5. Chargement de la batterie

Le PI7 est livré avec le boîtier de charge et les batteries des écouteurs partiellement rechargées. Il peut être utilisé immédiatement. Nous vous recommandons toutefois de recharger complètement vos écouteurs avant la première utilisation. Prévoyez environ 3 heures pour une recharge complète.

Pour recharger les écouteurs PI7 :

1. Placez les écouteurs PI7 dans le boîtier de charge.
2. Fermez le couvercle du boîtier de charge.

Pour charger le boîtier de charge du PI7 :

1. Utilisez le câble de chargement USB fourni et connectez la prise USB à un chargeur mural USB, ou une prise USB alimentée d'un ordinateur.
2. Connectez ensuite l'autre extrémité du câble USB-C à la prise USB-C du boîtier de recharge.

Remarque : pendant la charge, l'indicateur lumineux du boîtier de recharge clignote en vert. Lorsqu'il est complètement chargé, l'indicateur reste allumé en continu. Le boîtier peut être chargé avec ou sans les écouteurs à l'intérieur.

Pour recharger le boîtier de charge du PI7 avec un chargeur sans fil :

1. Placez l'étui de transport sur le chargeur sans fil
2. Assurez-vous que l'arrière du boîtier de charge est bien positionné sur le chargeur sans fil (avec l'indicateur lumineux du boîtier vers le haut).

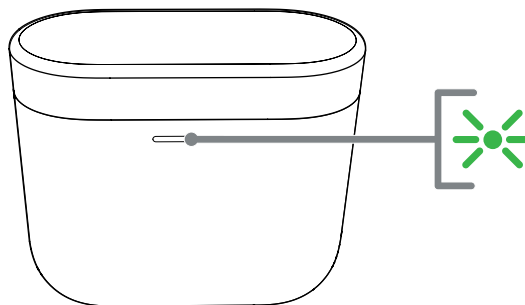
Remarque : pendant la charge, l'indicateur lumineux du boîtier clignote en vert. Lorsqu'il est complètement chargé, l'indicateur reste allumé en continu.

5.1 Indicateur d'état à LED

L'indicateur d'état à LED est situé à l'avant du boîtier de charge. Lorsque les écouteurs sont placés dans le boîtier de charge, la LED fournit des informations sur les écouteurs. Lorsque les écouteurs sont retirés du boîtier, la LED fournit des informations sur le boîtier de charge. Le Schéma 3 détaille les différents états de la LED.

5.2 Vérification des niveaux des batteries

Vous pouvez vérifier le niveau de la batterie du boîtier en appuyant une fois sur le bouton à l'extérieur du boîtier. Lorsque les deux écouteurs sont rangés dans leur boîtier, appuyez sur le même bouton deux fois pour connaître le niveau de batterie des écouteurs. Voir le Schéma 4 pour l'emplacement du bouton.



Avec les écouteurs insérés dans le boîtier de recharge

| Indicateur LED | | État de fonctionnement |
|------------------------------------|--|--|
| Vert (couvercle du boîtier ouvert) | | Charge batteries des écouteurs > 40% |
| Jaune (après mise sous tension) | | Charge batteries des écouteurs > 20%, <40% |
| Rouge (après mise sous tension) | | Charge de la batterie des écouteurs <20% |
| Rouge (clignotant) | | Réinitialisation d'usine des écouteurs |
| Rouge (fixe) | | Réinitialisation matérielle/panne système |
| Bleu (clignotant) | | Mode de jumelage activé |
| Bleu (3 secondes fixe) | | Jumelage réussi |

Avec les écouteurs retirés du boîtier de recharge

| Indicateur LED | | État de fonctionnement |
|------------------------------------|--|---|
| Vert (couvercle du boîtier ouvert) | | Charge de la batterie > 40% |
| Jaune (après mise sous tension) | | Charge de la batterie > 20%, <40% |
| Rouge (après mise sous tension) | | Charge de la batterie <20% |
| Rouge (clignotant) | | Réinitialisation usine |
| Rouge (fixe) | | Réinitialisation matérielle/panne système |

Schéma 3
Indicateur d'état lumineux

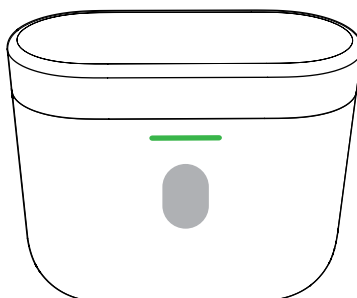


Schéma 4
Indicateur lumineux des batteries du boîtier de recharge et des écouteurs

6. Connectivité Bluetooth

6.1 Jumelage

Vos écouteurs PI7 sont conçus pour diffuser de la musique sans fil à partir d'appareils audio Bluetooth, tels que les smartphones, tablettes ou ordinateurs. Pour cela, les écouteurs et l'appareil source doivent d'abord être jumelés.

Lorsque vous recevez vos écouteurs PI7, ils seront prêts à être jumelés à n'importe quel appareil audio Bluetooth.

6.1.1 Système iOS/Système Android sans Google FastPair.

1. Téléchargez l'application Bowers & Wilkins pour casque.
2. Ouvrez le couvercle du boîtier, l'indicateur du boîtier clignote en bleu.
3. Accédez au menu de jumelage Bluetooth de votre appareil et sélectionnez « Bowers & Wilkins PI7 » dans la liste des appareils à portée.
4. L'indicateur lumineux passera alors au bleu continu pour indiquer que le jumelage a réussi.
5. Ouvrez l'application Bowers & Wilkins et ajoutez les écouteurs.

Remarque : vos écouteurs quitteront automatiquement le mode de jumelage Bluetooth si aucun appareil n'est jumelé dans les 5 minutes. Si le jumelage échoue, l'indicateur clignote rapidement en bleu, dans ce cas, réessayez le jumelage.

Pour jumeler à un autre appareil. Voir le Schéma 5 :

1. Ouvrez le couvercle du boîtier avec les écouteurs à l'intérieur du boîtier.
2. Maintenez appuyé le bouton à l'intérieur du boîtier pendant 1 à 5 secondes, l'indicateur lumineux clignotera en bleu.
3. Accédez au menu de jumelage Bluetooth de votre nouvel appareil et sélectionnez « Bowers & Wilkins PI7 » dans la liste des appareils à portée.
4. L'indicateur passera au bleu continu pour indiquer que le jumelage a réussi.

Le PI7 peut ainsi mémoriser jusqu'à 3 appareils Bluetooth jumelés. Répétez les étapes ci-dessus pour jumeler plus d'appareils.

Remarque : vos écouteurs quitteront automatiquement le mode de jumelage Bluetooth si aucun appareil n'est jumelé dans les 5 minutes. Si le jumelage échoue, l'indicateur lumineux clignote rapidement en bleu. Dans ce cas, réessayez le jumelage.

6.1.2 Google FastPair (pour appareils avec système Android avec fonctionnalité GFP)

Pour jumeler les écouteurs :

1. Ne placez pas le boîtier à plus de 10 cm (4 pouces) de l'appareil Android (BT activé) et ouvrez le couvercle du boîtier du PI7.
2. Une fenêtre de notification GFP (Google FastPair) apparaîtra, affichant « Bowers & Wilkins PI7 détecté » et demandant de démarrer le processus de jumelage.
3. Appuyez sur le bouton « Notification » de la fenêtre pour activer le jumelage, un message indiquant que la connexion est réussie sera affiché dans la fenêtre GFP.
4. Une fois jumelés :
 - o La fenêtre GFP vous dirigera vers le Google Play Store pour télécharger et installer l'application Bowers & Wilkins App.
 - o Le niveau de batterie des écouteurs et du boîtier sera affiché dans la fenêtre GFP.

6.2 Déconnexion d'un appareil

Vous pouvez déconnecter rapidement le PI7 d'un appareil source en remettant les écouteurs dans leur boîtier. Alternativement, vous pouvez gérer la connexion plus en détail en utilisant l'application casque Bowers & Wilkins Headphones dans le sous-menu « Connexions ».

6.3 Fonctionnalités de l'application

L'application Bowers & Wilkins Headphones permet de réaliser la configuration et des ajustements étendus pour certaines fonctionnalités telles que l'annulation adaptative du bruit, l'Ambient Pass-Through et les capteurs de port de vos écouteurs. L'application propose également d'autres personnalisations telles que le prompt vocal, le niveau de l'Ambient Pass-through, la gestion des connexions, et les mises à jour logicielles de votre casque. L'application est disponible en téléchargement gratuit pour les appareils iOS et Android.

Pour ajouter vos écouteurs à l'application :

1. Depuis votre appareil mobile, téléchargez et installez l'application Bowers & Wilkins Headphones.
2. Lancez l'application, puis lisez et suivez les instructions relatives aux notifications et aux autorisations attribuées à l'application.
3. Après avoir atteint l'écran principal, appuyez simplement sur + et suivez les instructions intégrées à l'application.

6.4 Mise à jour du logiciel du casque

Bowers & Wilkins mettra occasionnellement à disposition des mises à jour logicielles qui affinent et optimisent les performances de vos écouteurs ou ajoutent de nouvelles fonctionnalités.

L'application casque Bowers & Wilkins vous enverra une notification lorsqu'une mise à jour logicielle est disponible, appuyez sur la notification et suivez les instructions dans l'application.

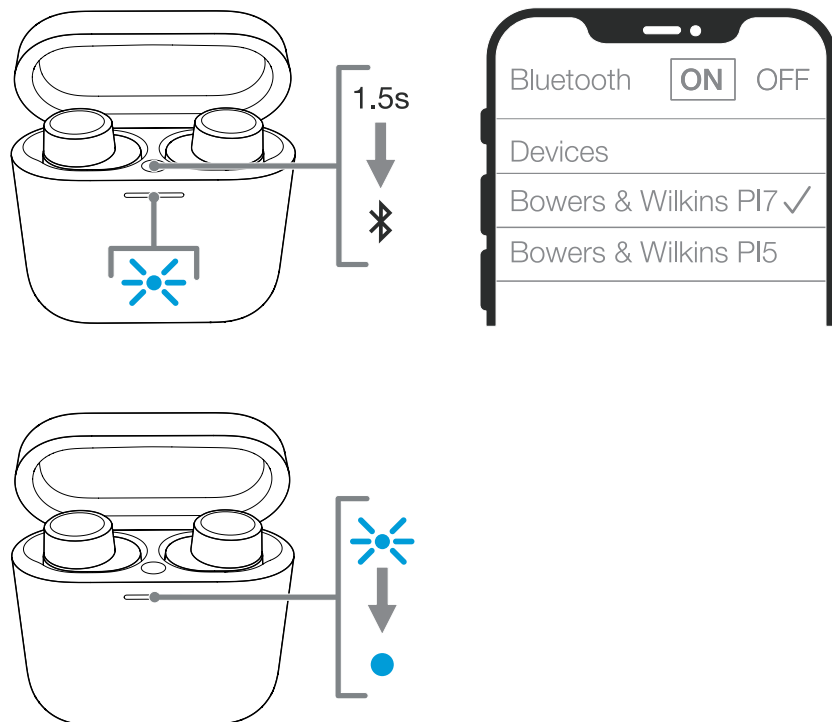


Schéma 5
Jumelage Bluetooth - appareil source

7. Comment porter vos écouteurs

Un port correct de vos écouteurs vous permettra de profiter de la meilleure expérience possible, voir le Schéma 6. Comme de nombreux écouteurs intra-auriculaires, les écouteurs PI7 sont conçus pour venir sceller le conduit auditif pour un fonctionnement optimal. Les embouts auriculaires sont disponibles en trois tailles (petit, moyen et grand). Trouver la taille qui soit parfaitement adaptée à votre oreille est essentiel pour obtenir une bonne étanchéité et assurer à votre PI7, ainsi qu'à ses fonctionnalités avancées comme la suppression de bruit adaptative un fonctionnement optimal.

1. Identifiez les écouteurs gauche et droit à l'aide des indications L et R situées sur le côté intérieur de chaque écouteur.
2. Placez les écouteurs dans vos oreilles et tournez chaque écouteur légèrement vers l'arrière pour que l'embout s'engage confortablement dans l'ouverture du conduit auditif.
3. Si l'embout de l'écouteur est trop grand ou trop petit, essayez un embout d'oreille d'une autre taille pour réaliser le meilleur ajustement possible.

Remarque : pour optimiser la qualité des appels, veuillez vous assurer que le microphone situé sous l'écouteur est bien tourné vers l'extérieur, voir Schéma 6.

8. Streaming multimédia

8.1 Connectez votre boîtier à une source multimédia avec le câble USB -C vers jack 3,5 mm fourni ou le câble USB- C vers USB -C pour le streaming multimédia en continu, voir Schéma 7.

1. Connectez le câble fourni au boîtier et au périphérique source.
2. Votre PI7 démarrera le streaming automatiquement.

Remarque : pour les utilisateurs Mac, et pour la première diffusion en streaming, allez dans le menu de contrôle de sortie dans Réglage du son et sélectionnez "Bowers & Wilkins PI7".

8.2 Couplage d'un casque secondaire/autre (UNIQUEMENT Bowers & Wilkins) au boîtier pour le streaming multimédia en continu, voir le Schéma 8.

Votre boîtier peut également être associé à un autre casque Bowers & Wilkins pour le streaming multimédia :

1. Connectez le câble fourni au boîtier et au périphérique source.
2. Appuyez sur le bouton externe et maintenez-le enfoncé pendant 3 secondes jusqu'à ce que la LED clignote en bleu.
3. Mettez le casque en mode jumelage.
4. La LED du boîtier passe en bleu continu pour indiquer que la connexion est réalisée.
5. Une fois jumelé, appuyez sur le bouton externe du boîtier :
 - 1x pour démarrer le streaming
 - 2x pour arrêter le streaming

Remarque : les deux écouteurs doivent être à l'intérieur du boîtier lors de l'utilisation du casque secondaire. Une fois que l'autre casque a été jumelé, l'historique de jumelage sera supprimé.

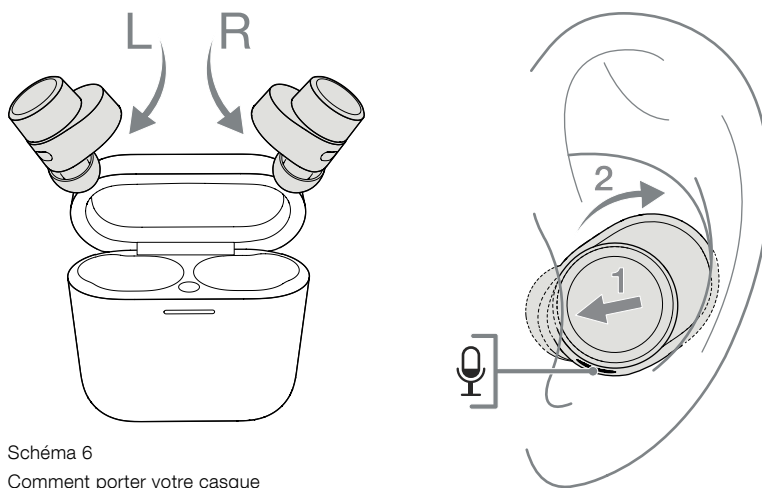


Schéma 6
Comment porter votre casque

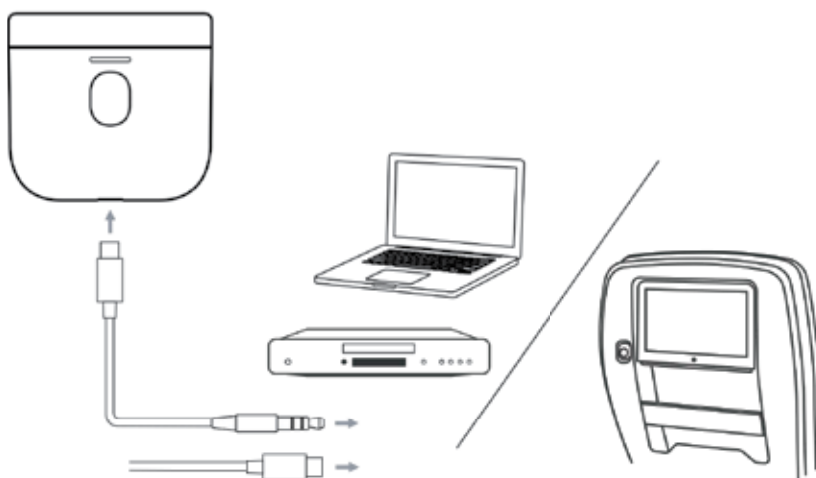


Schéma 7
Streaming Multimédia



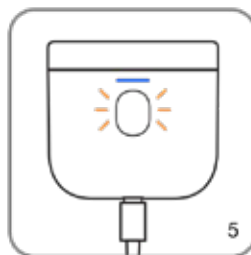
Connectez le boîtier à la source.

Pressez le bouton pendant 3 secondes, la lumière clignote en bleu.

Mettez l'autre casque en mode jumelage.



L'indicateur passe en bleu continu quand le jumelage est réussi.



Appuyez une fois sur le bouton pour démarrer le streaming, deux fois pour l'arrêter.

Schéma 8
Diffusion/streaming sans fil vers un autre casque

9. Réinitialisation/Dépannage

9.1 Réinitialisation usine

Vous pouvez effacer l'historique des appareils jumelés et restaurer tous les réglages à leurs valeurs par défaut.

Pour réinitialiser les écouteurs en mode usine, ouvrez le boîtier de charge avec les écouteurs placés à l'intérieur. Appuyez et maintenez le bouton à l'intérieur du boîtier pendant 5 secondes puis libérez-le. L'indicateur lumineux situé sur le boîtier deviendra rouge pour indiquer que la réinitialisation usine a bien été effectuée.

REMARQUE : au cas où les écouteurs ne fonctionneraient pas correctement, effectuez une seconde réinitialisation usine pour résoudre le problème.

9.2 Réinitialisation matérielle

Pour effectuer une réinitialisation matérielle de vos écouteurs, ouvrez le boîtier avec les écouteurs placés à l'intérieur. Appuyez sur le bouton à l'intérieur du boîtier et maintenez-le enfoncé pendant 15 secondes jusqu'à ce que l'indicateur LED s'éteigne et se rallume en vert, ce qui indique que la réinitialisation matérielle a bien été effectuée.

REMARQUE : En cas de panne grave du système (LED allumée en rouge fixe), effectuez une réinitialisation matérielle.

10. Entretien de vos écouteurs

Vos écouteurs peuvent être nettoyés avec un chiffon humide en les tamponnant doucement jusqu'à ce qu'ils soient propres. N'utilisez pas de produits de nettoyage, de détergents, de l'alcool, des nettoyants chimiques/du polish, cela pourrait endommager vos écouteurs.

11. Service/Assistance

Si vous avez besoin d'aide pour résoudre un problème spécifique, ou avez simplement une question à laquelle vous aimeriez une réponse, veuillez d'abord consulter le support de la section sur le site web de Bowers & Wilkins : www.bowerswilkins.com.

Spécifications

| | |
|------------------------------|---|
| Caractéristiques techniques | Technologie True Wireless Bluetooth 5.0 avec aptX Adaptive Réduction de Bruit Active (ANC) Streaming audio depuis le boîtier de recharge Rechargement USB-C et sans fil Compatible Charge Rapide |
| Formats Numériques Bluetooth | aptX™ – Adaptive aptX™ – HD aptX™ – Low Latency aptX™ – Classic AAC SBC |
| Profiles Bluetooth | A2DP v1.3.1 AVRCP v1.6.1 HFP v1.7.1 HSP v1.2 BLE GATT (Generic Attribute Profile) |
| Bande de fréquence | Mode TX : 2402 Mhz à 2480 Mhz, Bande ISM Mode RX : 2402 Mhz à 2480 Mhz, Bande ISM |
| Puissance de sortie RF | < 10.0 dBm |
| Haut-parleurs | Dynamic Drive 9.2 mm + Balanced Armature Drive |
| Gamme de fréquence | 10 Hz – 20 kHz |
| Distorsion | < 0.3 % (1 kHz/10 mW) |
| Autonomie | Jusqu'à 4 heures en Bluetooth |
| Charge rapide | 15 minutes de charge pour deux heures en Bluetooth |
| Entrées | Bluetooth |
| Poids | Ecouteurs 7 g, boîtier de recharge 61 g |

Willkommen bei Bowers & Wilkins und PI7

Vielen Dank, dass Sie sich für Bowers & Wilkins entschieden haben. Als John Bowers unser Unternehmen gründete, war er überzeugt, dass ein innovatives Design sowie beste Ingenieurskunst und zukunftsweisende Technologien der Schlüssel für ein einzigartiges Klangerlebnis in Ihrem Zuhause sind.

Der Bowers & Wilkins PI7 ist ein hochwertiger In-Ear-Kopfhörer, der den Hörer mit bester Klangqualität, kabelloser Freiheit und dank adaptiver Geräuschunterdrückung mit einem erstklassigen Nutzererlebnis verwöhnt. In dieser Bedienungsanleitung erfahren Sie alles, was Sie wissen müssen, um Ihren PI7-Kopfhörer optimal nutzen zu können.

Die Musik kann via Bluetooth kabellos von Ihrem Handy, Tablet oder Computer zum PI7 gestreamt werden. Der PI7 kann aber auch zum kabellosen Telefonieren genutzt werden.

Zu den Real-World-Listening-Funktionen des PI7 gehören unsere jüngsten Innovationen in den Bereichen Geräuschunterdrückung (Adaptive Noise Cancellation), Umgebungsfiler (Ambient Pass-Through) sowie verbesserte Näherungssensor-Technologien. Unsere Geräuschunterdrückung der neuesten Generation wurde von Grund auf mit intelligenten Umgebungserkennungsfunktionen entwickelt und wählt automatisch die für Ihre Umgebung am besten geeignete Geräuschunterdrückungsart aus. Einziges Ziel ist es, ein kompromissloses Hörerlebnis zu bieten. Dank der Umgebungsfiler-Funktion sind externe Geräusche, wie Gespräche oder Sicherheitsansagen, deutlich hörbar, sodass Sie den Kopfhörer nicht abnehmen müssen. Die Näherungssensor-Funktion sorgt dafür, dass der PI7 Ihre Musik automatisch pausiert, wenn Sie einen Ohrhörer aus dem Ohr nehmen. Die Musikwiedergabe wird fortgesetzt, sobald Sie den Ohrhörer wieder einsetzen. Diese Funktionen können über die Bowers & Wilkins Headphones App, die kostenlos auf iOS- und Android-Geräten verfügbar ist, aktiviert und weiter angepasst werden.

Der PI7 wird mit einem wiederaufladbaren Lade Case geliefert. Abhängig von der Bluetooth-Nutzung, dem Einsatz der Geräuschunterdrückung und des Umgebungsfilters sind bei aktivierter Geräuschunterdrückung und durchschnittlichen Lautstärkepegeln bis zu 20 Stunden Musikwiedergabe möglich.

1. PI7 Kartoninhalt

PI7 Kopfhörer mit Ohrstöpseln (M)
Ladecase
USB-C-Ladekabel und USB-C auf 3,5-mm-Audiokabel
Ohrstöpsel (S/L)
Beiliegende Literatur

2. Lernen Sie Ihren PI7 kennen

2.1 Kopfhörer ein- und ausschalten

Ein-/Ausschalten

Der PI7 hat keinen Ein-/Ausschalter, stattdessen erfolgt das Powermanagement automatisch. Ihre PI7-Ohrhörer werden automatisch geladen, sobald sie in das Ladecase gelegt werden, und sind somit einsatzbereit, wenn sie wieder entnommen werden.

Wenn die Ohrhörer aus dem Ladecase genommen und 5 Minuten lang nicht benutzt werden, wechseln sie in den Energiesparmodus. Um den Energiesparmodus zu beenden, verwenden Sie die Ohrhörer erneut, indem Sie sie mit einem gepaarten Gerät koppeln, Audio streamen oder die Ohrhörer in Ihre Ohren einsetzen.

2.2 Kopfhörer-Steuerung

Jeder Ohrhörer verfügt über eine Multifunktions-taste an der oberen Kappe des Ohrhörers (siehe Abbildung 1). Folgende Bedienfunktionen sind möglich:

Medienwiedergabe:

| Funktion | Bedienung |
|----------------------------|---|
| Wiedergabe oder Pause | Multifunktions-taste einmal drücken. |
| Nächsten Titel abspielen | Multifunktions-taste zweimal kurz hintereinander drücken. |
| Vorherigen Titel abspielen | Multifunktions-taste dreimal kurz hintereinander drücken. |

Telefonanruf-funktion:

| Funktion | Bedienung |
|----------------------------|---|
| Anruf beantworten | Wenn ein Anruf eingeht, einmal die Multifunktions-taste drücken. |
| Anruf beenden | Wenn ein Anruf eingeht, zweimal die Multifunktions-taste kurz hintereinander drücken. |
| Eingehenden Anruf ablehnen | Wenn ein Anruf eingeht, zweimal die Multifunktions-taste kurz hintereinander drücken. |

3. Intelligente Funktionen

3.1 Adaptive Geräuschunterdrückung

Mit Hilfe der Geräuschunterdrückung können unerwünschte Geräusche aus der Umgebung entfernt werden.

Der PI7 ist mit unseren jüngsten Innovationen in der adaptiven Geräuschunterdrückung ausgestattet, einschließlich intelligenter Sensorik, die die Geräuschunterdrückung und -abstimmung an Ihre Umgebung anpasst. Wenn sich Ihre Umgebung ändert, passt sich die Geräuschunterdrückung automatisch an Ihre neue Umgebung an.

Die Geräuschunterdrückungsfunktion wird aktiviert, indem Sie die Multifunktions-taste des linken Ohrhörers (L) 1 Sekunde lang drücken. Wenn Sie die Taste weiter jeweils 1 Sekunde drücken, werden folgende Modi nacheinander aktiviert: Ein, Auto oder Aus. Abbildung 2 zeigt die Position der Taste.

| Modus | Anwendung |
|-------|--|
| Ein | Entfernt unerwünschte Umgebungsgeräusche. |
| Auto | Passt die Geräuschunterdrückung auf intelligente Weise an Ihre aktuelle Umgebung an. |
| Aus | Deaktiviert die Geräuschunterdrückungsfunktion. |

3.2 Sprachassistent

Der Sprachassistent wird aktiviert, indem Sie die Multifunktions-taste am rechten (R) Ohrhörer 1 Sekunde lang drücken. Abbildung 2 zeigt die Position der Taste.

3.3 Umgebungsfilter

Dank des Umgebungsfilters des PI7 kann der Nutzer bestimmte Geräusche (z. B. Gespräche oder Sicherheitsansagen) hören, ohne die Ohrhörer herausnehmen zu müssen.

Der Umgebungsfilter kann über die Bowers & Wilkins-Kopfhörer-App aktiviert oder deaktiviert werden. Die Durchlässigkeit für Umgebungsgeräusche (Hoch/Niedrig/Aus) kann über die App an Ihre Bedürfnisse angepasst werden.

3.4 Näherungssensoren

Der PI7 verfügt über unsere jüngste, optimierte Bewegungssensorik in beiden Ohrhörern. Mit Hilfe der Sensoren kann der Akku geschont werden, indem der Kopfhörer in den Energiesparmodus wechselt, wenn die Ohrhörer herausgenommen werden. Beim erneuten Einsetzen aktiviert sich der PI7 automatisch und verbindet sich mit dem zuletzt verwendeten Bluetooth-Gerät.

Die Sensoren unterbrechen zudem die Musikwiedergabe, wenn die Ohrhörer aus den Ohren genommen werden. Die Wiedergabe wird fortgesetzt, sobald Sie die Ohrhörer wieder einsetzen. Das automatische Fortsetzen der Wiedergabe wurde weiter auf Benutzerfreundlichkeit optimiert.

Der Näherungssensor kann über die Bowers & Wilkins Kopfhörer-App deaktiviert werden.

Hinweis: Achten Sie beim Einsetzen der Ohrhörer besonders darauf, dass keine Haare oder Accessoires zwischen Ihren Ohren und den Ohrhörern eingeklemmt werden. Diese können die Näherungssensorik stören.

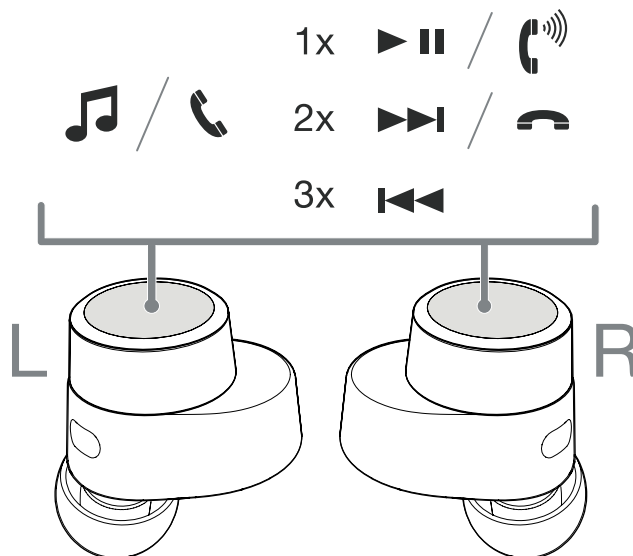


Abbildung 1
Multifunktions-taste

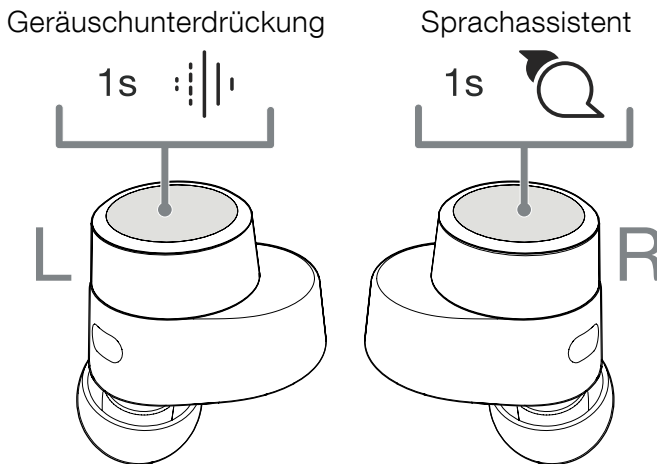


Abbildung 2
Kopfhörer-Bedienelemente

4. Aufbewahren der Ohrhörer

Wenn Sie die PI7 Ohrhörer nicht benutzen, sollten Sie sie im Ladecase aufbewahren, wo sie für den nächsten Einsatz wieder aufgeladen werden.

5. Aufladen des Akkus

Der PI7 wird mit teilweise aufgeladenen Akkus geliefert und kann sofort verwendet werden. Es hat sich jedoch bewährt, den Akku der Ohrhörer vor dem ersten Gebrauch vollständig aufzuladen. Das vollständige Aufladen kann bis zu 3 Stunden dauern.

So laden Sie die PI7-Ohrhörer auf:

1. Legen Sie die PI7-Ohrhörer in das Ladecase.
2. Schließen Sie den Ladecase-Deckel.

So laden Sie das PI7-Ladecase auf:

1. Bitte verwenden Sie das mitgelieferte Ladekabel und verbinden Sie den USB-Stecker mit einem USB-Ladegerät oder der USB-Buchse eines Computers.
2. Schließen Sie dann das USB-C-Ende an die USB-C-Buchse des Ladecase an.

Hinweis: Während des Ladens blinkt die LED grün. Ist der Akku vollständig geladen, leuchtet die LED dauerhaft. Das Ladecase kann mit oder ohne die eingelegten Ohrhörer geladen werden.

So laden Sie das PI7-Ladecase an einer kabellosen Ladestation auf:

1. Platzieren Sie das Ladecase auf einer kabellosen Ladestation.
2. Achten Sie darauf, dass der Ladecase mit der Rückseite auf der Ladestation aufliegt (Ladecase-LED weist nach oben).

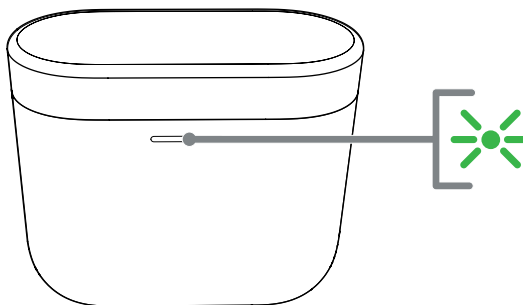
Hinweis: Während des Ladens blinkt die LED grün. Ist der Akku vollständig geladen, leuchtet die LED dauerhaft.

5.1 Statusanzeige








Die Statusanzeige befindet sich auf der Vorderseite am Ladecase. Wenn die Ohrhörer in das Ladecase gelegt werden, zeigt die LED Informationen über die Ohrhörer an. Wenn die Ohrhörer aus dem Ladecase entnommen werden, zeigt die LED Informationen zum Ladecase an. Siehe Abbildung 3 für LED-Zustände.

5.2 Akkustand kontrollieren

Sie können den Akkustand des Ladecase kontrollieren, indem Sie die Taste an der Außenseite einmal drücken. Wenn beide Ohrhörer im Ladecase verstaut sind, drücken Sie dieselbe Taste zweimal, um den Akkustand der Ohrhörer anzuzeigen. Abbildung 4 zeigt die Position dieser Taste.



Mit Ohrhörern im Ladecase

| Anzeige | Betriebszustand |
|------------------------------|---|
| Grün (Ladecase-Deckel offen) |  Ohrhörer-Akkuladung >40 % |
| Gelb (nach dem Einschalten) |  Ohrhörer-Akkuladung >20%, <40% |
| Rot (nach dem Einschalten) |  Ohrhörer-Akkuladung <20 % |
| Rot (blinkend) |  Ohrhörer auf Werkseinstellungen zurückgesetzt |
| Rot (konstant) |  Hardware-Reset / Systemabsturz |
| Blau (blinkend) |  Pairing-Modus aktiviert |
| Blau (3 Sek. konstant) |  Pairing erfolgreich |

Ohne Ohrhörer im Ladecase






| Anzeige | Betriebszustand |
|------------------------------|--|
| Grün (Ladecase-Deckel offen) |  Akkuladung >40 % |
| Gelb (nach dem Einschalten) |  Akkuladung >20%, <40% |
| Rot (nach dem Einschalten) |  Akkuladung <20 % |
| Rot (blinkend) |  Auf Werkseinstellungen zurückgesetzt |
| Rot (konstant) |  Hardware-Reset / Systemabsturz |

Abbildung 3
Statusanzeige

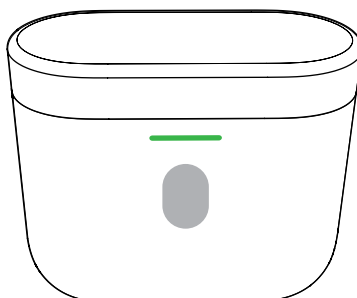


Abbildung 4
Ladecase und Ohrhörer-Akkuanzeige

6. Bluetooth-Verbindung

6.1 Bluetooth-Kopplung

Der PI7 dient zum kabellosen Musik-Streamen von Bluetooth-Audiogeräten wie Smartphones, Tablets oder PCs. Dazu müssen Kopfhörer und Gerät zunächst gekoppelt werden.

Wenn Sie Ihre PI7-Ohrhörer erhalten, können diese mit jedem Bluetooth-Audiogerät gekoppelt werden.

6.1.1 iOS-System / Android-System ohne Google FastPair.

1. Laden Sie die Bowers & Wilkins Headphone App herunter.
2. Öffnen Sie den Ladecase-Deckel, die LED blinkt blau.
3. Gehen Sie zum Bluetooth-Pairing-Menü Ihres Gerätes und wählen Sie „Bowers & Wilkins PI7“ aus der Geräteliste.
4. Die LED am Ladecase wechselt zu durchgehend blau, um anzuzeigen, dass die Kopplung erfolgreich war.
5. Öffnen Sie die Bowers & Wilkins-App und fügen Sie die Kopfhörer hinzu.

Hinweis: Ihr Kopfhörer verlässt den Bluetooth-Kopplungsmodus automatisch, wenn fünf Minuten lang keine Kopplung mit einem Gerät stattgefunden hat. Wenn die Kopplung fehlschlägt, blinkt die Anzeige schnell blau. Bitte versuchen Sie die Kopplung erneut.

Zum Koppeln mit einem weiteren Gerät. Siehe Abbildung 5:

1. Legen Sie die Ohrhörer in das Ladecase und öffnen Sie den Deckel.
2. Halten Sie die Taste im Ladecase 1 bis 5 Sekunden lang gedrückt. Die LED blinkt blau.
3. Gehen Sie zum Bluetooth-Pairing-Menü Ihres neuen Gerätes und wählen Sie „Bowers & Wilkins PI7“ aus der Geräteliste.
4. Die LED am Ladecase wechselt zu durchgehend blau, um anzuzeigen, dass die Kopplung erfolgreich war.

Der PI7 kann sich bis zu 3 gekoppelte Bluetooth-Geräte merken. Wiederholen Sie die obigen Schritte, um weitere Geräte zu koppeln.

Hinweis: Ihr Kopfhörer verlässt den Bluetooth-Kopplungsmodus automatisch, wenn fünf Minuten lang keine Kopplung mit einem Gerät stattgefunden hat. Wenn die Kopplung fehlschlägt, blinkt die Anzeige schnell blau. Bitte versuchen Sie die Kopplung erneut.

6.1.2 Google FastPair (für Android-Systeme mit integrierter GFP-Funktion)

So fügen Sie Ihre Kopfhörer hinzu:

1. Stellen Sie das Ladecase nicht weiter als 10 cm vom Android-Gerät (mit aktiviertem Bluetooth) entfernt auf und öffnen Sie den Ladecase-Deckel.
2. Es erscheint ein GFP-Benachrichtigungsfenster (Google FastPair) mit der Meldung „Bowers & Wilkins PI7 erkannt“, das Sie auffordert, den Kopplungsvorgang zu starten.
3. Tippen Sie im Fenster auf die Schaltfläche, um das Pairing zu erlauben. Die erfolgreiche Verbindung wird im GFP-Fenster angezeigt.
4. Nach der Kopplung:
 - o Das GFP-Fenster leitet Sie zum Google Play Store, um die Bowers & Wilkins-App herunterzuladen und zu installieren.
 - o Der L/R-Ohrhörer und der Akkustand des Ladecase werden im GFP-Fenster angezeigt

6.2 Verbindung zu einem Gerät trennen

Sie können den PI7 schnell von einem Gerät trennen, indem Sie die Ohrhörer wieder in das Ladecase einlegen. Alternativ können Sie die Verbindung mit der Bowers & Wilkins Headphones App verwalten.

6.3 App-Funktionen

Die Bowers & Wilkins Kopfhörer-App bietet erweiterte Einstellungs- und Anpassungsmöglichkeiten für Funktionen wie adaptive Geräuscherdrückung, Umgebungsfilter und Näherungssensoren. Die App ermöglicht zudem weitere Anpassungen wie Sprachansage, Durchlässigkeit für Umgebungsgeräusche, Verbindungsmanagement und Software-Updates für die Kopfhörer. Diese App steht für iOS- und Android-Geräte kostenlos zum Download bereit.

So fügen Sie Ihre Kopfhörer hinzu:

1. Laden Sie die Bowers & Wilkins Headphones App auf Ihrem Mobilgerät herunter und installieren Sie diese.
2. Starten Sie dazu die App und befolgen Sie die Anweisungen zu Benachrichtigungen und Berechtigungen der App.
3. Tippen Sie im Hauptbildschirm der App einfach auf + und folgen Sie den Anweisungen in der App.

6.4 Software-Updates für die Kopfhörer

Bowers & Wilkins stellt gelegentlich Software-Updates zur Verfügung, mit denen Sie die Leistung Ihrer Kopfhörer optimieren oder neue Funktionen hinzufügen können.

Die Bowers & Wilkins Headphones App benachrichtigt Sie, wenn ein Software-Update verfügbar ist. Tippen Sie auf die Benachrichtigung und folgen Sie den Anweisungen in der App.

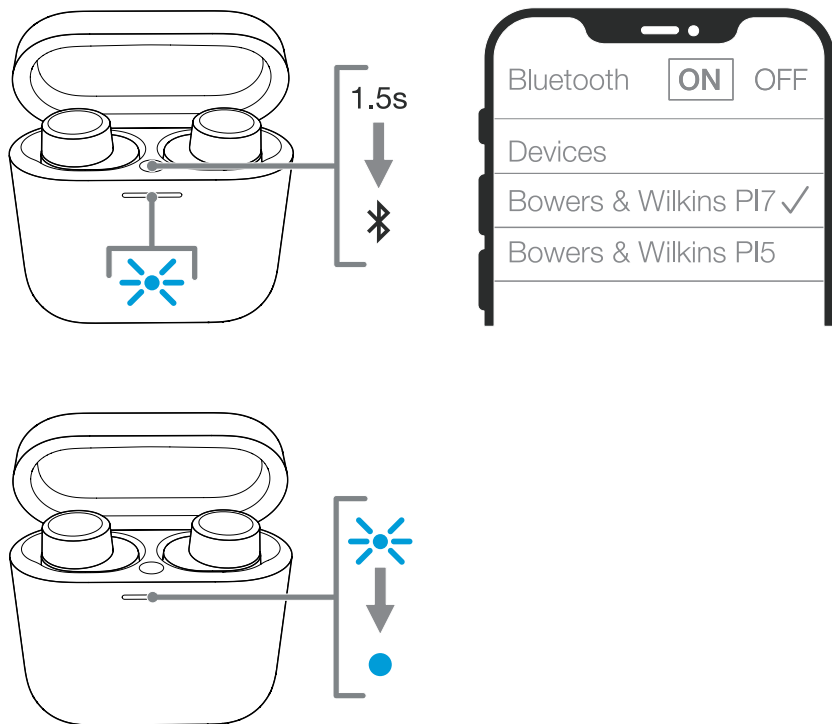


Abbildung 5
Bluetooth-Pairing - zweites Gerät

7. Einsetzen der Ohrhörer

Das korrekte Einsetzen der Ohrhörer trägt dazu bei, dass Sie den bestmöglichen Klang erzielen (siehe Abbildung 6). Wie viele In-Ear-Kopfhörer sind die PI7-Ohrhörer so konzipiert, dass sie den Gehörgang abdichten, um eine optimale Leistung zu erzielen. Ohrstöpsel gibt es in drei Größen (klein, mittel und groß). Die richtige Größe für Ihr Ohr zu finden, ist entscheidend nicht nur für eine gute Abdichtung und ein optimales Klangerlebnis mit dem PI7, sondern auch damit erweiterte Funktionen wie die adaptive Geräuschunterdrückung optimal funktionieren.

1. Auf der Innenseite der Ohrhörer befinden sich Links-/Rechts-Markierungen, an denen Sie sich beim Einsetzen orientieren können.
2. Setzen Sie die Ohrhörer in das Ohr und drehen Sie den Ohrhörer leicht nach hinten, so dass die Stöpsel bequem im äußeren Gehörgang liegen.
3. Wenn sich die Ohrstöpsel zu groß oder zu klein anfühlen, versuchen Sie es mit einer anderen Ohrstöpselgröße, um die bestmögliche Passform zu gewährleisten.

Hinweis: Achten Sie darauf, dass das Mikrofon unter dem Ohrhörer nach außen zeigt, um eine optimale Sprachverständlichkeit zu gewährleisten (siehe Abbildung 6).

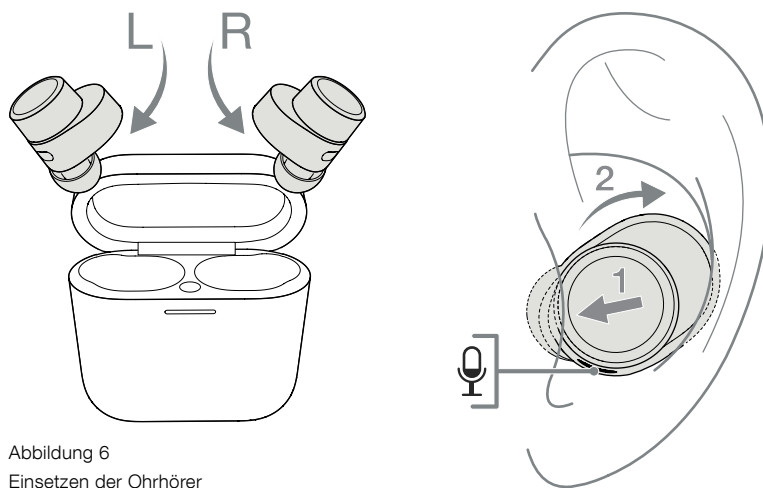


Abbildung 6
Einsetzen der Ohrhörer

8. Medien-Streaming

8.1 Ladecase mit dem mitgelieferten USB-Typ-C-auf-3,5-mm- oder USB-Typ-C-auf-C-Kabel für Medien-Streaming an die Medienquelle anschließen (siehe Abbildung 7).

1. Schließen Sie das mitgelieferte Kabel an das Ladecase und das Quellgerät an.
2. Ihr PI7 beginnt automatisch mit dem Streaming.

Hinweis: Für Mac-Benutzer, die zum ersten Mal streamen: Gehen Sie zur Ausgabesteuerung unter Sound-Einstellung und wählen Sie „Bowers & Wilkins PI7“

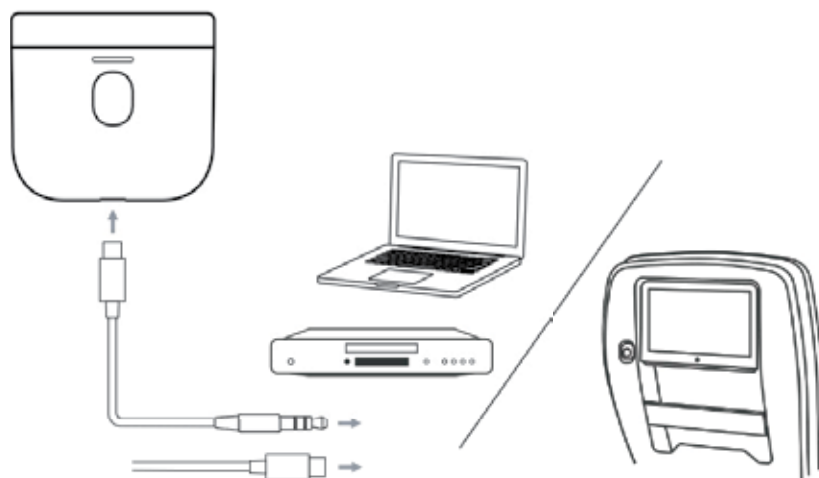


Abbildung 7
Medien-Streaming

8.2 Koppeln eines zweiten/nachfolgenden Kopfhörers (NUR Bowers & Wilkins) mit dem Ladecase zum Medien-Streaming (siehe Abbildung 8).

Ihr Ladecase kann auch mit einem anderen Bowers & Wilkins-Kopfhörer für Media-Streaming gekoppelt werden

1. Schließen Sie das mitgelieferte Kabel an das Ladecase und das Quellgerät an.
2. Halten Sie die Außentaste 3 Sekunden lang gedrückt, bis die LED blau blinkt.
3. Schalten Sie den Kopfhörer in den Pairing-Modus.
4. Die Ladecase-LED leuchtet konstant blau, um anzuzeigen, dass die Verbindung hergestellt wurde.
5. Drücken Sie nach dem Koppeln die Außentaste:
 - 1x um das Streaming zu starten
 - 2x um das Streaming zu stoppen

Hinweis: Bei Verwendung des zweiten Kopfhörers müssen sich beide Ohrhörer im Ladecase befinden. Sobald der nachfolgende Kopfhörer gekoppelt ist, wird der bisherige Kopplungsverlauf gelöscht.

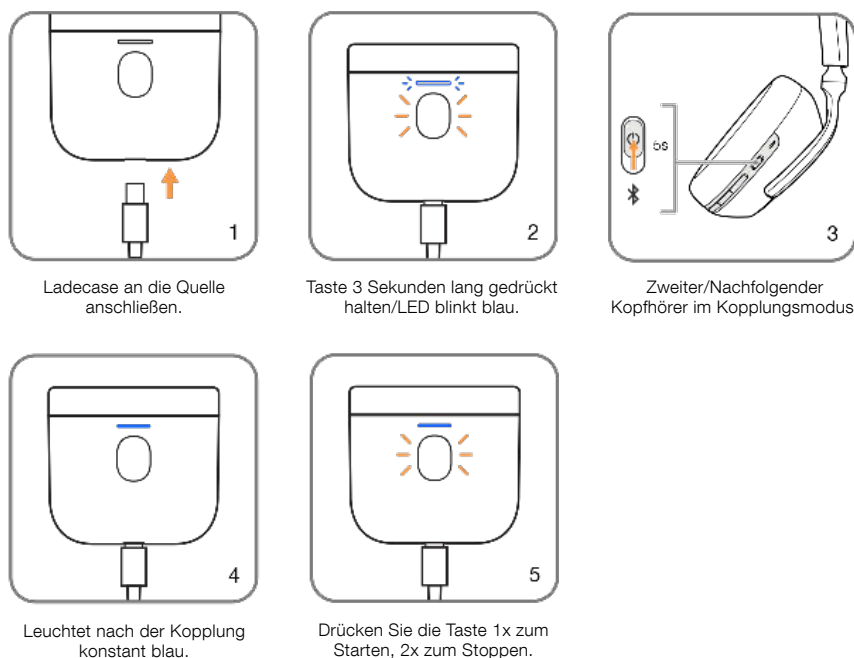


Abbildung 8
Streaming mit zweitem/nachfolgendem Kopfhörer

9. Zurücksetzen/Fehlerbehebung

9.1 Auf Werkseinstellungen zurücksetzen

Sie können die Liste gepaarter Geräte löschen und alle Einstellungen auf die Werkvoreinstellung zurücksetzen.

Um die Ohrhörer auf die Werkseinstellungen zurückzusetzen, öffnen Sie das Ladecase mit den darin platzierten Ohrhörern. Halten Sie die Taste auf der Ladecase-Innenseite 5 Sekunden lang gedrückt und lassen Sie sie dann los. Die LED am Ladecase leuchtet rot, um das Zurücksetzen anzuzeigen.

HINWEIS: Falls die Ohrhörer nicht korrekt funktionieren, setzen Sie sie bitte auf die Werkseinstellungen zurück, um das Problem zu beheben.

9.2 Harter Reset

Um einen harten Reset durchzuführen, öffnen Sie das Ladecase mit den darin platzierten Ohrhörern. Halten Sie die Taste im Inneren des Ladecase 15 Sekunden lang gedrückt, bis die LED-Anzeige erlischt und grün leuchtet, um den Abschluss des Hard-Reset-Vorgangs anzuzeigen.

HINWEIS: Führen Sie bei einem schwerwiegenden Systemabsturz (LED leuchtet konstant rot) einen Hard-Reset durch.

10. Pflege Ihrer Kopfhörer

Ihre Ohrhörer können mit einem feuchten Tuch und sanftem Abtupfen gereinigt werden, bis sie sauber sind. Verwenden Sie keine Reinigungsmittel, Reinigungsalkohol oder chemische Reiniger/Politur, da dies Ihre Ohrhörer beschädigen kann.

11. Service / Support

Wenn Sie Hilfe bei der Behebung eines bestimmten Problems benötigen oder einfach nur eine Frage haben, die Sie gerne beantwortet hätten, besuchen Sie bitte zunächst den Support-Bereich für Kopfhörer auf der Bowers & Wilkins-Website: www.bowerswilkins.com.

Technische Daten

| | |
|---------------------|---|
| Technische Merkmale | True Wireless Technologie Bluetooth 5.0 mit AptX Adaptive Technologie Auto ANC Audio-Streaming aus dem Ladecase Kabelloses und USB-C-Laden Unterstützung für schnelles Laden |
| Bluetooth Codecs | AptX – Adaptive AptX – HD AptX – Low Latency AptX – Classic AAC SBC |
| Bluetooth-Profile | A2DP v1.3.1 AVRCP v1.6.1 HFP v1.7.1 HSP v1.2 BLE GATT (Generic Attribute Profile) |
| Frequenzband | Tx-Modus: 2402 MHz bis 2480 MHz, ISM Band Rx-Modus: 2402 MHz bis 2480 MHz, ISM Band |
| HF-Ausgangsleistung | <0r = 10,0 dBm |
| Treiber | 9,2mm Dynamic Drive mit Balanced Armature |
| Frequenzbereich | 10 Hz bis 20 kHz |
| Verzerrung (THD) | <0,3 % (1 kHz/10 mW) |
| Akkulaufzeit | Bis zu 4 Stunden Bluetooth |
| Laden | 15 Minuten Laden = 2 Stunden Bluetooth |
| Eingänge | Bluetooth |
| Gewicht | 7 g für Ohrhörer, 61 g für Ladecase |